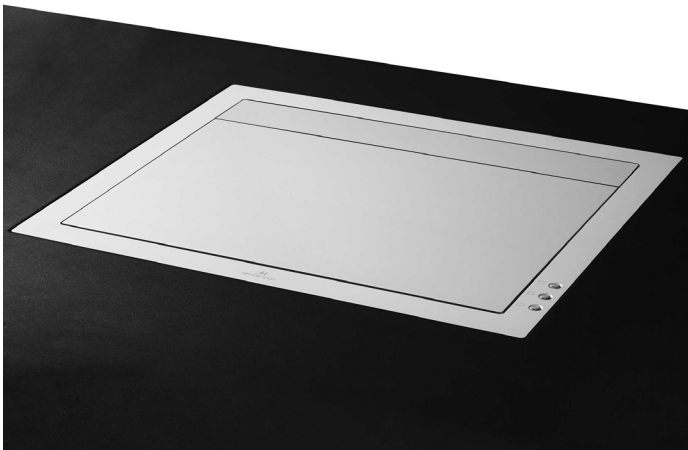


Dynamic3

Aluminium foldable monitor, manual movements



FEATURES

- Manual foldable monitor
- Adjustable tilt angle
- Interactive setup display
- Maintenance free
- HDCP compliant
- Energy saving design

GENERAL

Dynamic3 monitors have been designed for installation into tables or desks. Built entirely of aluminium and black edged anti-glare glass, the Dynamic3 monitors offer a discreet and timeless design.

The anodised finish provides a soft, silky effect, is extremely resilient and also serves to dissipate heat. The glass protects the screen, reduces “mirror” effect, allows for natural transparent colour and can work as a touch surface. Integration into furniture is extremely easy. The back of the

monitor can be veneered with different materials to allow for a uniform table finish when the screen is folded. The screen rises and leans manually and also manually retracts inside the work surface, with the monitor oriented down. The screen’s lifting system automatically activates the elevation of the keyboard and mouse tray.

The touchscreen can be used when the monitor is risen.

TECHNICAL SPECIFICATIONS

Display

Size	FULL HD 17.3" TFT Active Matrix
Resolution	1920 (h) x 1080 (v)
Brightness	400 cd/m2
Contrast ratio	600:1
Pixel	0.1989 (h) x 0.1989 (v) mm
Viewing angle	60°/80° (u/d) / 80°/80° (l/r)
Viewing area	381.888 (h) x 214.812 (v) mm
LED backlight lifespan	50.000 hrs
Response time	Tr 37 ms, Tf 3 ms
Temperature (operating/storage)	Operating 0°C – +40°C Storage -20°C – +60°C

Materials

Frame	Anodised Aluminium
Glass	AR 2-side with an anti-reflective coating on the glass surface. Thickness: 3.0 ± 0.3 mm
Cover plate	Anodised aluminium, matt or prepared for underneath installation (to be veneered or for table hedge)

Connectivity

Input signal	DVI-I (1 input) – HDCP Compliant DVI-D (1 input) – HDCP Compliant
GPI (SubD9)	Movements control

Control

GPI	
IR Remote control (monitor adjustments):	1 / 5

Movement's Control

User interface on monitor	(Up/Down)
Remote	GPI

Electrical

Low voltage (external power supply)	100-240Vac, 47/63Hz, 12Vdc
Power consumption	50W

Mechanical

Dimensions	509 x 419 x 102 mm [20.04"x16.5"x4.03"]
Weight	17.5 Kg
Shipping Dimensions:	
Weight	18.8 Kg / 41.4 lbs
Shipping Box	559 x 469x 222 mm

OPTIONS

- DynamicLoop
- DynamicShare
- Touch screen
- Keyboard & mouse
- USB camera for 15", 17" & 19" monitors
- Composite video camera for 15", 17" & 19" monitors
- HD-SDI camera
- USB integrated on cover plate
- 2 USB integrated on cover plate

- USB power integrated on cover plate
- Customised cover plate with speaker, voting system, USB connector
- Prepared for underneath installation, cover plate prepared to be veneered
- Additional Customised laser engraved logotype on the cover plate
- Monitor housing anodised in different colours

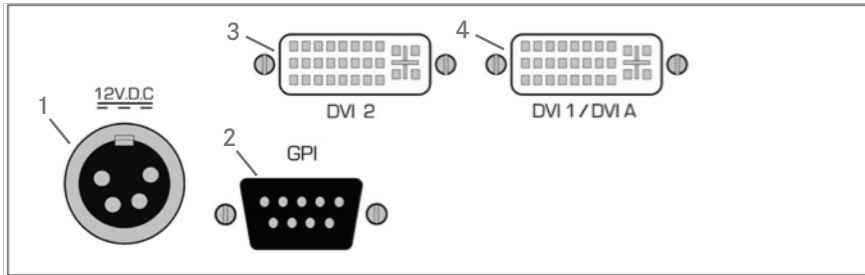
CERTIFICATIONS

- CE

WARRANTY

- 2 years general warranty

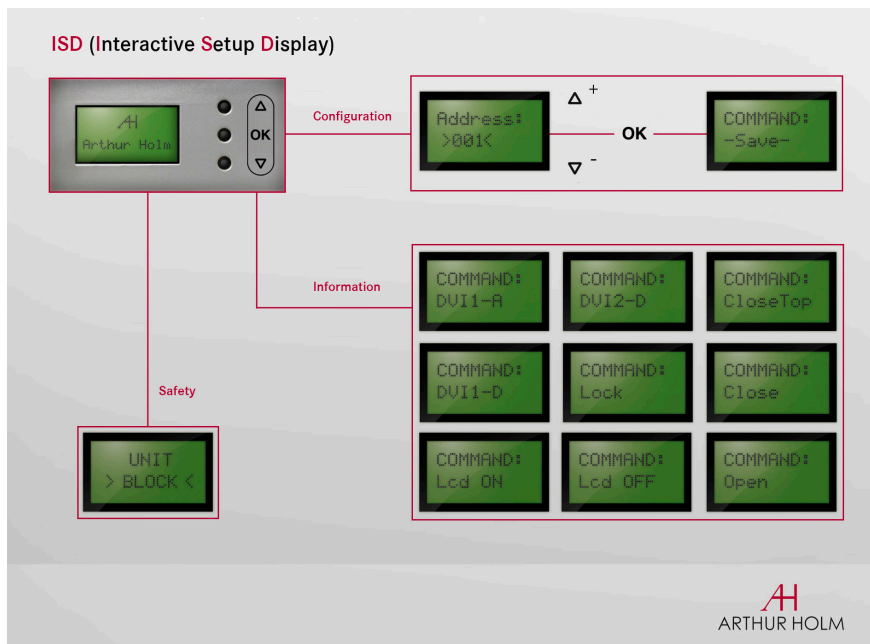
CONNECTIVITY PANEL



CONNECTIVITY

- 1- Power input
- 2- GPI control
- 3- DVI 2 video input
- 4- DVI 1 / DVI A video input

INTERACTIVE SETUP DISPLAY



ISD

- 1- Configuration
- 2- Information
- 3- Safety

ARCHITECT'S SPECIFICATIONS

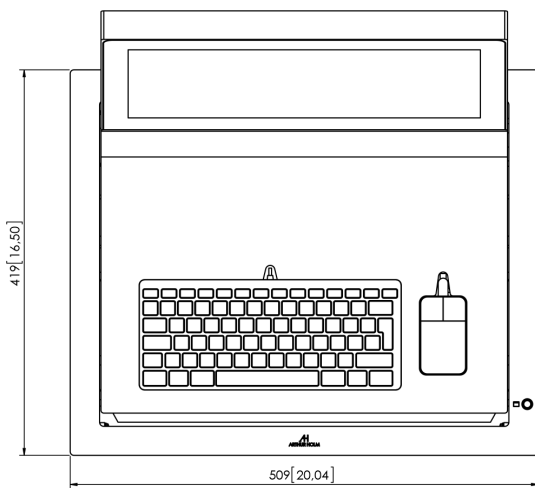
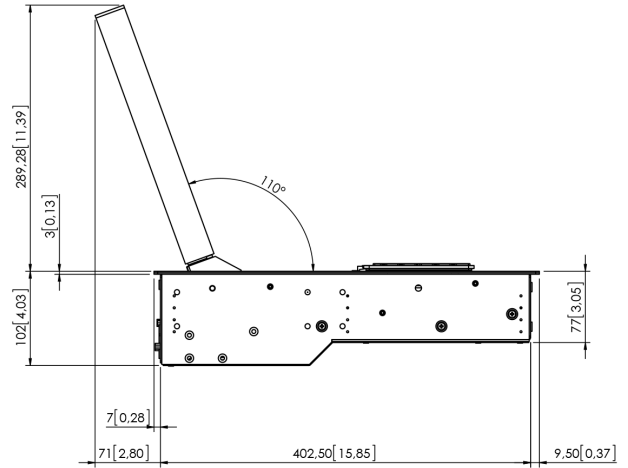
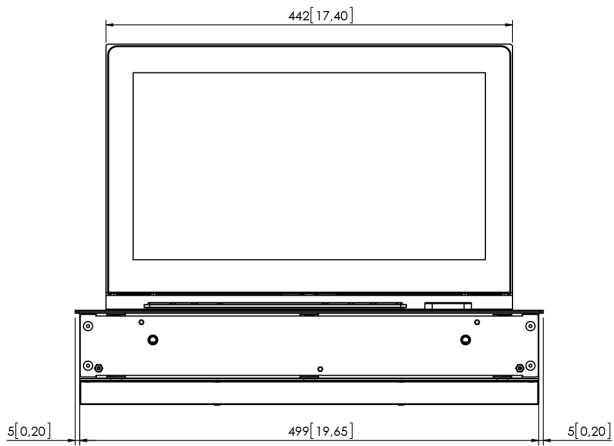
Low voltage professional foldable 17.3" widescreen FULL HD monitor. Screen housing milled out of solid aluminum in natural anodized finishing and aluminum cover frame. Front double sided anti-reflective 3 mm black edged glass. Manual folding movement. Vertical position within 110 and 90 adjustable degrees. Storage position with the screen facing down with automatic screen switch-off system. DVI-I and DVI-D connectors, HDCP compliant inputs.

Easy to read Interactive Setup Display (ISD). 1.6" LCD display for address setup and status monitoring. External power supply with 4-Pin XLR4 connector.

Rear connectivity. Total depth of 102 mm for easier integration in the furniture. Adjustable parameters through AHnet or ISD for calibration and adjustment of mechanics. Diagnostic readout on ISD for service and support.

GENERAL DIMENSIONS

AH17D3MHDGA



ARTHUR HOLM

Albiral Display Solutions SL · Fàtima, 25 Sant Hipòlit de Voltregà 08512 Bcelona, Spain · +34 938 502 376 · marketing@arthurholm.com
www.arthurholm.com

Arthur Holm is a registered brand of Albiral Display Solutions SL. Specifications subject to change without previous notice.