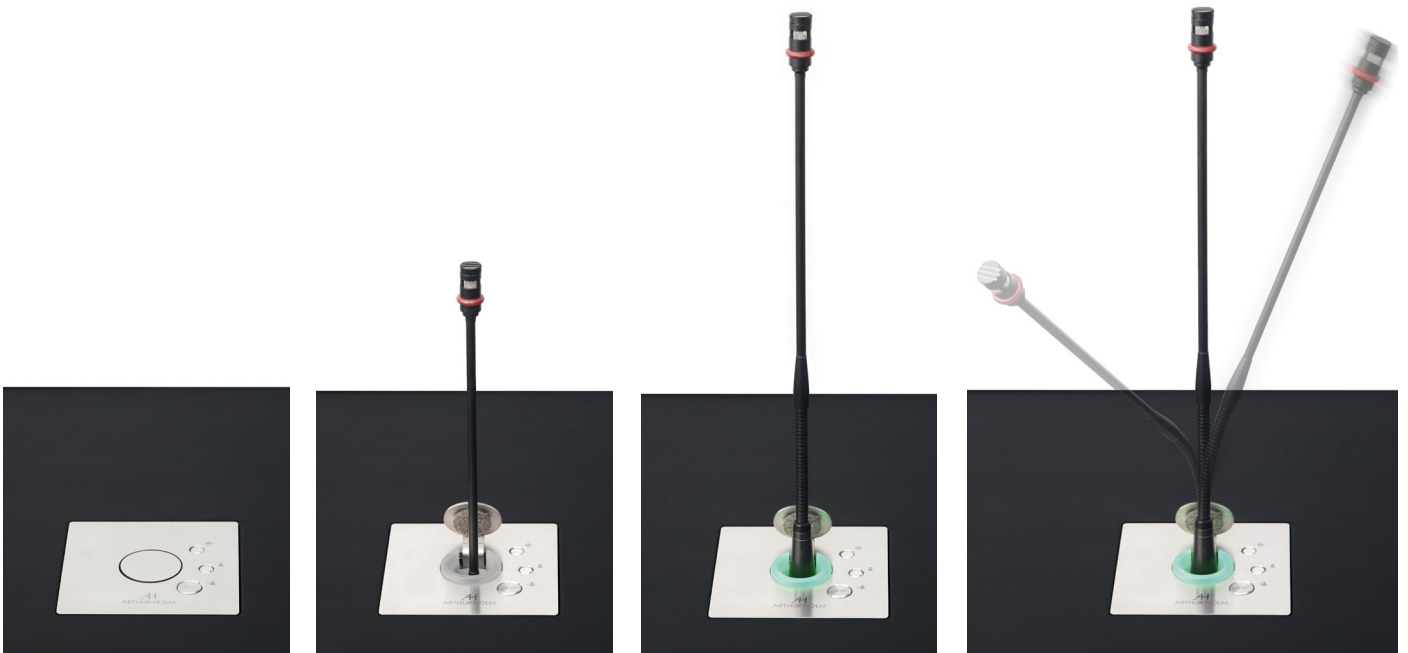
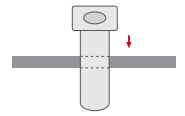


DynamicTalk

Universal motorised lift system for “gooseneck” microphones



FEATURES

- Compatible with “gooseneck” microphones
- Standard XLR-3pin connection
- Adjustable microphone length
- Dynamic Light LED ring indicated microphone status
- Maintenance free
- Easy to install
- Serial control & Remote diagnose

GENERAL

DynamicTalk microphone lifts have been designed for installation into tables or desks. DynamicTalk not only makes the microphone disappear within the desk surface but also provides a pleasant interior light to indicate its status. Microphones are safely stored and protected, making meeting and conference spaces more versatile as the tables can be used for different purposes. The system includes a light ring that shines in the base when the microphone is in raised position. The cover plate is made of brushed stainless steel and can be veneered with different materials for a less intrusive table surface desk and to perfectly match the table finish.

DynamicTalk has two different working modes; PA and Conference. When in PA mode, a push button placed on the cover plate, allows to activate or de-activate the

microphone. A LED light ring will indicate the status by changing colour, from green to red. The system will silence the microphone when this is in retracted position. When in Conference mode, the microphone will always be active and both the light ring and the access to the push button on the cover plate will be available through a connector (GPI/GPO). In this mode, the system is ready to be connected and controlled through a conference system.

DynamicTalk is available in 3 standard sizes, 400mm, 500mm, 600mm, for short, medium and large microphones with XLR connector. It is also available in customised versions for all types and sizes of conference microphones with optional integration of manufacturer’s interfaces on the cover plate.

TECHNICAL SPECIFICATIONS

DynamicTalk Control	
Up/Down Control	Button on upper cover plate
	GPI contact closer
	RS-422 (RJ45 CAT 5)
Microphone control	Button on upper cover plate
Customized function	Button on upper cover plate
GPI/O	LEDs, up/down and switch
Electrical	
External power supplies	100-240Vac, 50/60Hz, 12Vdc
DTalk consumption	10W

Mechanical	
Dimensions	110 x 110 x 504 mm [4.33"x4.33"x19.84"]
Weight	3 Kg / 6.6 lbs
Shipping Dimensions:	
Weight	4 Kg / 8.8 lbs
Shipping Box	730 x 195 x 200 mm

OPTIONS

- USB integrated on cover plate
- USB power integrated on cover plate
- Customised cover plate with speaker, voting system, conference system
- Customised laser engraved logotype on the cover plate
- Custom microphone connection
- Anodisation in different colours

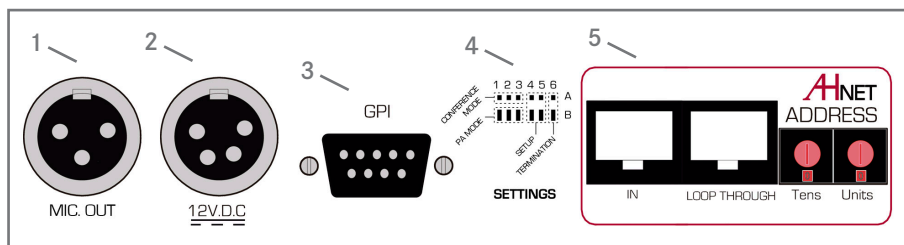
CERTIFICATIONS

- CE

WARRANTY

- 2 years general warranty

CONNECTIVITY PANEL



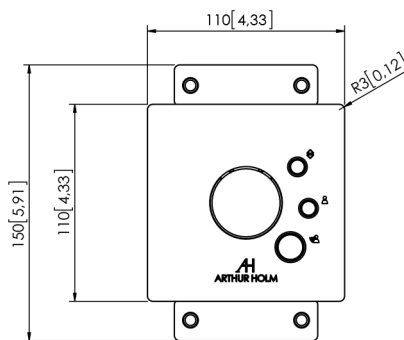
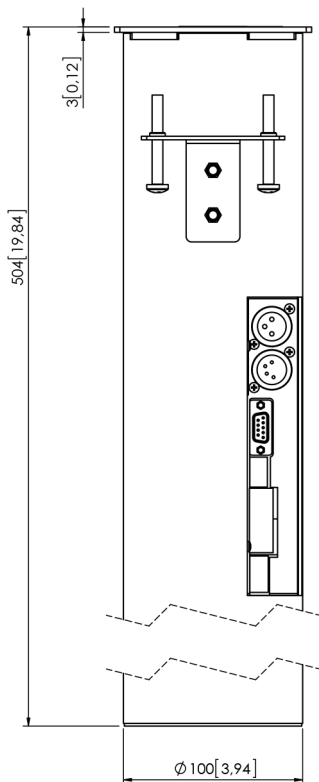
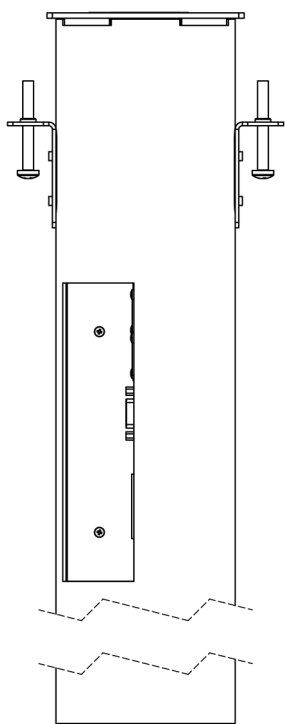
CONNECTIVITY

- 1- Microphone output
- 2- Power input
- 3- GPI control
- 4- DynamicTalk configuration settings
- 5- AHnet control interface

ARCHITECT’S SPECIFICATIONS

Low voltage professional retractable system for microphones up to 400 mm long. Square brushed stainless steel cover plate with integrated rounded microphone opening cover lid, and three buttons for system operation. Programmable green and red LED ring for microphone status indication. Patented design to avoid microphone damage or blockage when retracting. Operation modes for using standard microphones and conference systems. Compatible with

AHnet open protocol, allowing independent remote control of up to 30 units over a daisy-chain CAT-5 line. Additional control by means of the buttons integrated on the cover plate and the general purpose interface inputs and outputs. External power supply. Can be customized to integrate third party conference systems.



MAXIMUM MICROPHONE DIMENSION INCLUDING CONNECTOR AND FOAM WINDSCREEN: 400 mm.

MAXIMUM MICROPHONE DIMENSION INCLUDING CONNECTOR AND FOAM WINDSCREEN: 400 mm.

