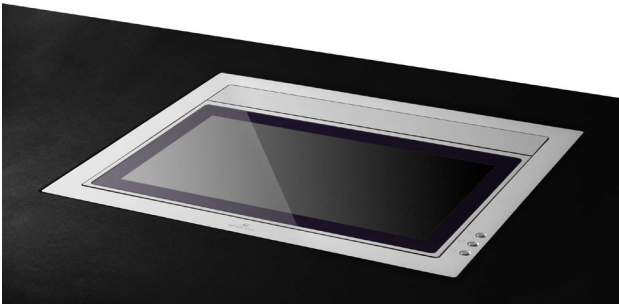
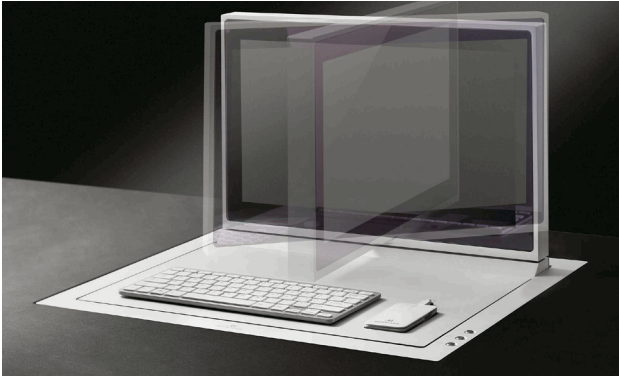


## Dynamic3

Aluminium foldable and rotatable monitor



### FEATURES

- Opens, rotates 180° & folds down
- Adjustable & memorisable tilt angle
- Automatic image flip
- Interactive setup display
- Maintenance free
- HDCP compliant
- Energy saving design
- Dual safety system
- Serial control & Remote diagnose

### GENERAL

Dynamic3 monitors have been designed for installation into tables or desks. Built entirely of aluminium and black edged anti-glare glass, the Dynamic3 monitors offer a discreet and timeless design.

The anodised finish provides a soft, silky effect, is extremely resilient and also serves to dissipate heat. The glass protects the screen, reduces “mirror” effect, allows for natural transparent colour and can work as a touch surface. Integration into furniture is extremely easy. The back of the monitor can be veneered with different materials to allow

for a uniform table finish when the screen is folded. The screen rises and leans, has an additional 180° rotation movement, and retracts inside the work surface in two different positions, with the monitor oriented up or down and the screen’s lifting system automatically activates the elevation of the keyboard and mouse tray.

The touchscreen can be used in a completely flat position, flush with the work surface. Dynamic3 monitors are available in 15”, 17”, 19” & 22”.

## TECHNICAL SPECIFICATIONS

**Display**

Size	FULL HD 17.3" TFT Active Matrix
Resolution	1920 (h) x 1080 (v)
Brightness	400 cd/m <sup>2</sup>
Contrast ratio	600:1
Pixel	0.1989 (h) x 0.1989 (v) mm
Viewing angle	60°/80° (u/d) / 80°/80° (l/r)
Viewing area	381.888 (h) x 214.812 (v) mm
LED backlight lifespan	50.000 hrs
Response time	Tr 37 ms, Tf 3 ms
Temperature (operating/storage)	Operating 0°C – +40°C Storage -20°C – +60°C

**Materials**

Frame	Anodised Aluminium
Glass	AR 2-side with an anti-reflective coating on the glass surface. Thickness: 3.0 ± 0.3 mm
Cover plate	Anodised aluminium, matt or prepared for underneath installation (to be veneered)

**Connectivity**

Input signal	DVI-I (1 input) – HDCP Compliant DVI-D (1 input) – HDCP Compliant
RJ45 CAT5 (with loop)	Addressable RS422 monitor control by AHnet protocol
GPI (SubD9)	Movements control

**Control**

RJ45, RS-422 (I/O)
Addressing
Termination switch
GPI
IR Remote control (monitor adjustments): 1 / 5

**Movement's Control**

User interface on monitor	(Up/Down)
Remote	RS-422 I/O/GPI

**Electrical**

Low voltage (external power supply)	100-240Vac, 47/63Hz, 12Vdc
Power consumption	50W

**Mechanical**

Dimensions	509 x 419 x 102 mm [20.04"x16.5"x4.03"]
Weight	17.8 Kg
Shipping Dimensions:	
Weight	18.8 Kg / 41.4 lbs
Shipping Box	559 x 469 x 222 mm

## OPTIONS

- DynamicLoop
- DynamicShare
- Touch screen
- Keyboard & mouse
- USB camera for 15", 17" & 19" monitors
- Composite video camera for 15", 17" & 19" monitors
- HD-SDI camera
- USB integrated on cover plate
- 2 USB integrated on cover plate

- USB power integrated on cover plate
- Customised cover plate with speaker, voting system, USB connector
- Prepared for underneath installation, cover plate prepared to be veneered
- Additional Customised laser engraved logotype on the cover plate
- Monitor housing anodised in different colours

## CERTIFICATIONS

- CE

## WARRANTY

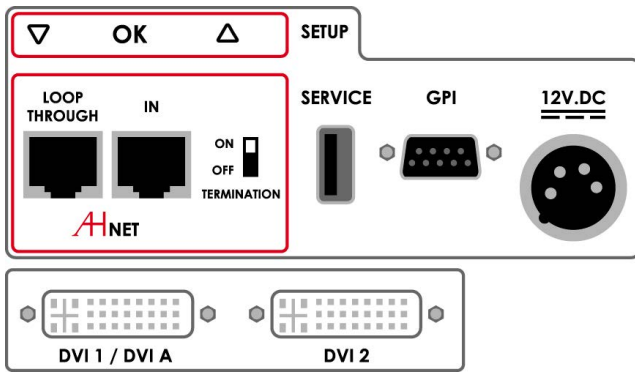
- 2 years general warranty

ARTHUR HOLM

Albiral Display Solutions SL · Fàtima, 25 Sant Hipòlit de Voltregà 08512 Bcelona, Spain · +34 938 502 376 · marketing@arthurholm.com  
www.arthurholm.com

Arthur Holm is a registered brand of Albiral Display Solutions SL. Specifications subject to change without previous notice.

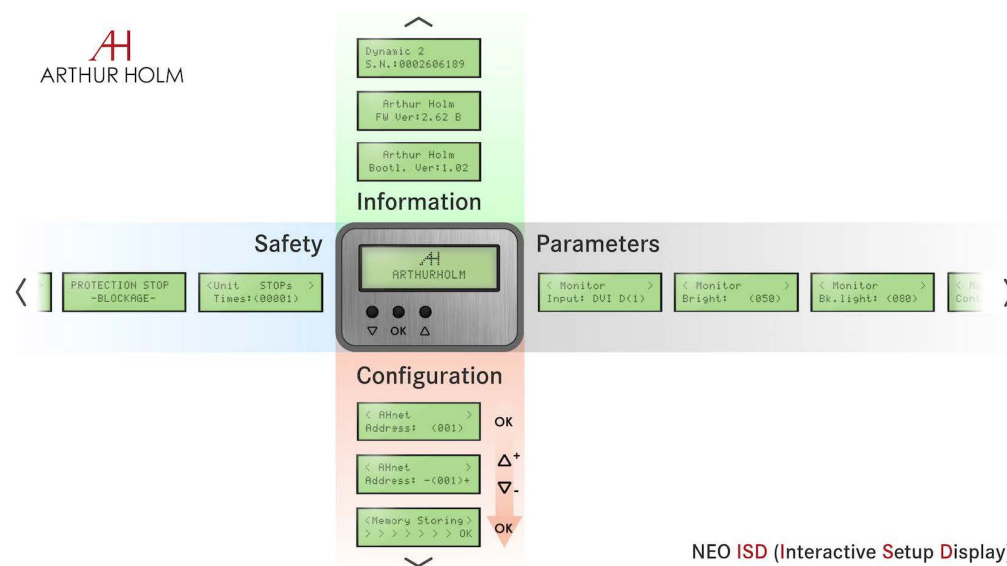
## CONNECTIVITY PANEL



## CONNECTIVITY

- 1- AHnet control interface
- 2- USB for service
- 3- GPI control
- 4- Power input
- 5- DVI 1 /DVI A video input
- 6- DVI 2 video input

## INTERACTIVE SETUP DISPLAY



NEO ISD (Interactive Setup Display)

## ARCHITECT'S SPECIFICATIONS

Two motor foldable and rotatable 17.3" FULL HD motorised monitor. Low voltage. Screen housing milled out of solid aluminum in natural anodized finishing and aluminum cover frame. Front double sided anti-reflective 3 mm black edged glass. Motorised folding and rotation movement. Two working positions: horizontal position with the screen facing up and vertical position within 110 and 90 adjustable degrees. Storage position with the screen facing down with automatic screen switch-off system. DVI-I and DVI-D connectors, HDCP compliant inputs.

Compatible with AHnet open protocol over RS-422, allowing individual remote control of up to 30 units over a daisy chain CAT-5 or CAT-6 line.

Additional control by means of the buttons integrated on the cover plate that can be activated or deactivated by using the AHnet protocol. Easy to read Interactive Setup Display (ISD). 2,2" LCD display for address setup and status monitoring. Dual safety system that detects obstructions, stopping the unit. External power supply with 4-Pin XLR4 connector.

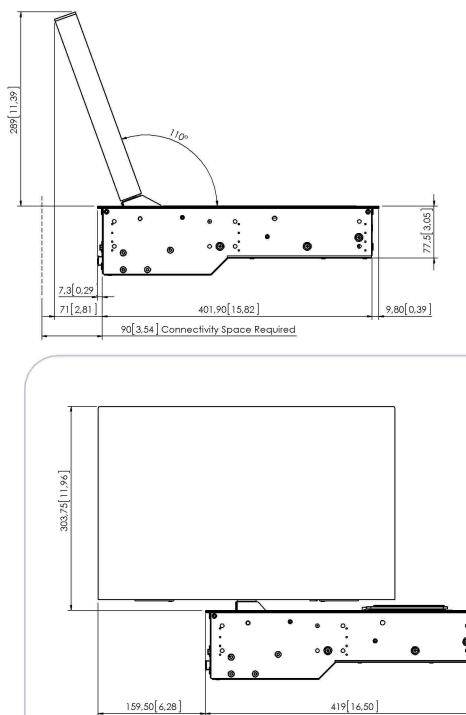
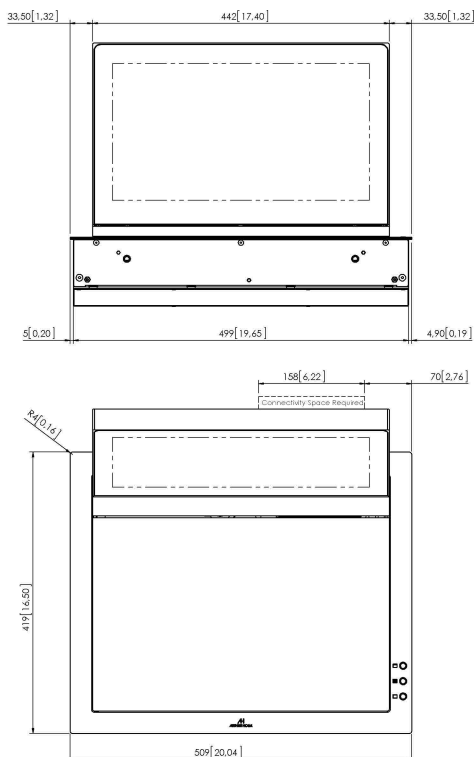
Rear connectivity. Total depth of 102 mm for easier integration in the furniture. Adjustable parameters through AHnet or ISD for calibration and adjustment of mechanics. Diagnostic readout on ISD for service and support.



Professional 17.3" FHD widescreen data monitor with horizontal and vertical working position, to be integrated into meeting and conference room tables

Dynamic3

Ref. AH17D3 RHDGA v4.1



**GENERAL DIMENSIONS**  
 Scale: 1:5  
 Dimensions in millimeters [inches]  
 Revision: 0  
 Projection:   
 Structure: 0737GD002

**ARTHUR HOLM**  
 Albiral Display Solutions SL  
 Fàtima 25, Sant Hipòlit de Voltregà, 08512 Barcelona (SPAIN)  
 TEL: +34 93 850 23 76 / 23 83 FAX: +34 93 850 25 50  
 WEB: www.arthurholm.com EMAIL: marketing@albiral.com