

AH3

Manually inclinable display



FEATURES

- 25° manually inclinable
- Ready for desk mounting
- Low profile aluminium design
- No visible cabling
- Maintenance free
- HDCP compliant
- Energy saving design

GENERAL

AH3 monitors have been designed for fixed installation into tables or desks.

AH3 is a full HD manually inclinable low profile monitor to be integrated in the table surface. AH3 displays are always visible and the working position can be manually adjusted from vertical to 25 degrees of maximum inclination.

The monitor is entirely built in solid milled aluminium with anodised finish and has an antireflection black edged glass that can be optionally touchscreen. The installation is very simple and the cabling is under the table surface, being completely invisible to the user. AH3 is available in 17.3”.

TECHNICAL SPECIFICATIONS

Display

Size	FULL HD 17.3" TFT Active Matrix, widescreen
Resolution	1920 (h) x 1080 (v)
Brightness	400 cd/m2
Contrast ratio	600:1
Pixel	0.1989 (h) x 0.1989 (v) mm
Viewing angle	60°/80° (u/d) / 80°/80° (l/r)
Viewing area	381.888 (h) x 214.812 (v) mm
LED backlight lifespan	50.000 hrs
Response time	Tr 37 ms, Tf 3 ms
Temperature (operating/storage)	Operating 0°C – +40°C Storage -20°C – +60°C

Materials

Cabinet	Milled aluminium with anodised finishing. Monitor to be installed on table. Flush antiglare protection glass with elegant black marking
---------	-----------------------------------------------------------------------------------------------------------------------------------------

Connectivity

Input signal	HDMI (1 input) - HDCP Compliant
--------------	---------------------------------

Control

IR Remote control (monitor adjustments): 1 / 5

Electrical

Low voltage (external power supply)	100-240Vac, 47/63Hz, 12Vdc
Power consumption	50W

Mechanical

Dimensions	500 x 400 x 40 mm [19.6"x15.7"x1.5"]
Weight	7 Kg / 15.4 lbs
Shipping Dimensions:	
Weight	8 Kg / 17.6 lbs
Shipping Box	567 x 447 x 162 mm

OPTIONS

- Touch screen
- USB camera

CERTIFICATIONS

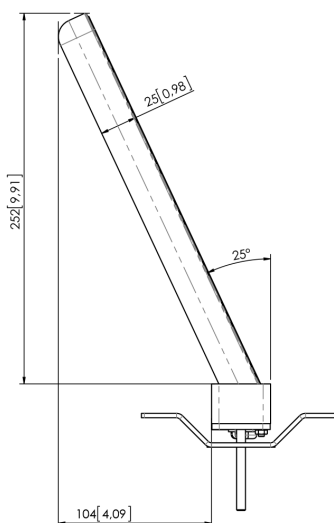
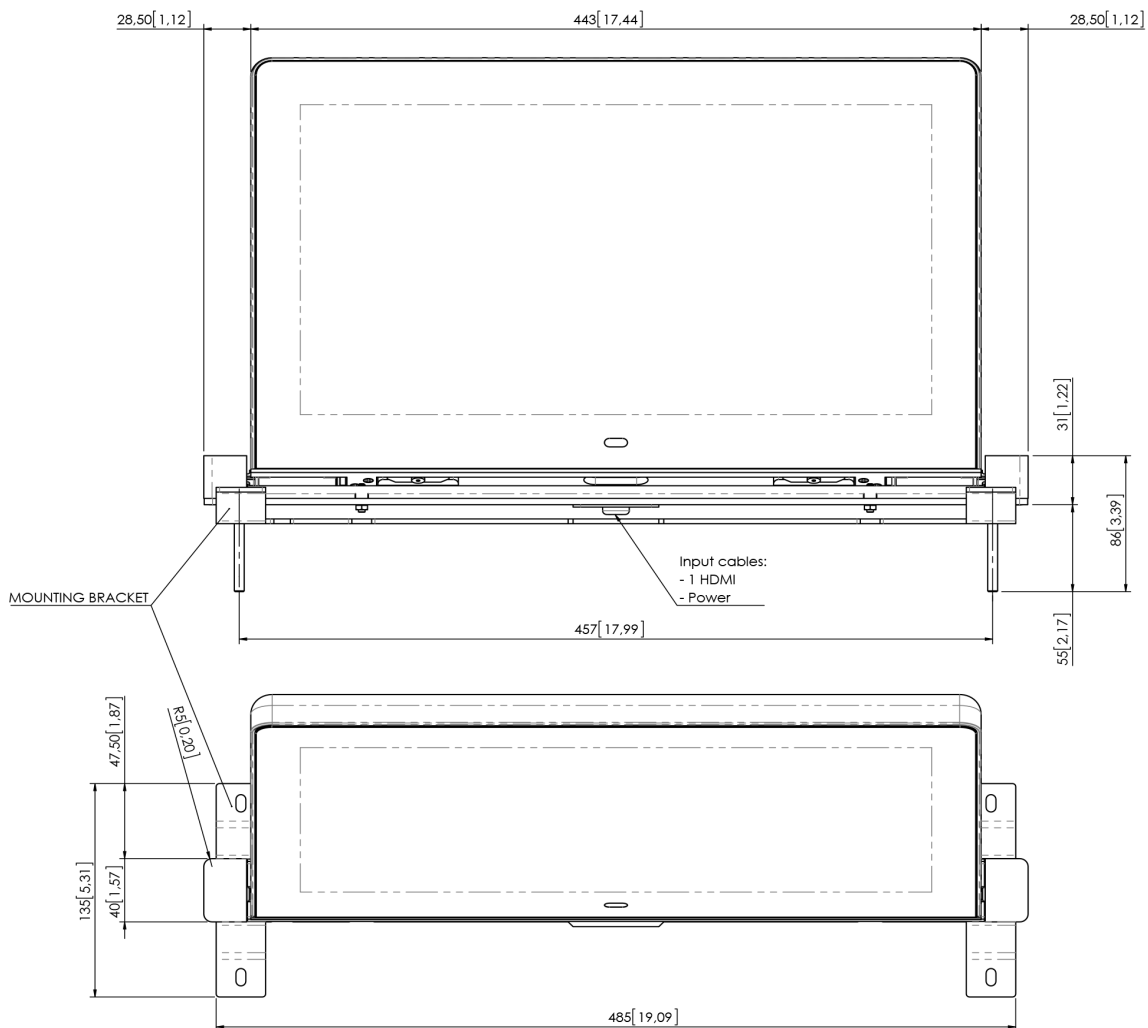
- CE

WARRANTY

- 2 years general warranty

ARCHITECT'S SPECIFICATIONS

Low voltage professional manually inclinable low-profile 17.3" monitor. Solid block of aluminium monitor housing in natural anodized finishing, with rounded corners design. Front anti-reflective black- edged glass. Fixed under-desk mounting and connection. Manually adjustable for a maximum inclination of 25°. No visible cables, screws or ventilation holes. HDCP compliant input.



ARTHUR HOLM

Albiral Display Solutions SL · Fàtima, 25 Sant Hipòlit de Voltregà 08512 Bcelona, Spain · +34 938 502 376 · marketing@arthurholm.com
www.arthurholm.com

Arthur Holm is a registered brand of Albiral Display Solutions SL. Specifications subject to change without previous notice.