

Gooseneck

Monitor for table integration



FEATURES

- Adjustable viewing angle
- Table integration monitor
- Routable 160°
- Below table connectivity
- No visible cabling
- Maintenance free
- HDCP compliant
- Energy saving design
- Easy to install

GENERAL

Gooseneck displays have been designed to be integrated with tables or desks.

Table integration monitors with their base built into the table or desk. Elegant screens specially designed for fixed table installation are made of milled aluminium with a stylish protective glass panel with black marking and a support made of brushed stainless steel. The cables hide inside the steel support and under the table to the connection point.

Gooseneck monitors are available in 22".

TECHNICAL SPECIFICATIONS

Display

Size	Full HD 21.5" TFT Active Matrix, widescreen
Resolution	1920 (h) x 1080 (v)
Brightness	250 cd/m2
Contrast ratio	1000:1
Pixel	0.247 (h) x 0.247 (v) mm
Viewing angle	178° (v) / 178° (h)
Viewing area	476.064 (h) x 267.786 (v) mm
LED backlight lifespan	30.000 hrs
Response time	Tg-g 25 ms
Temperature <i>(operating/storage)</i>	Operating 0°C – +40°C Storage -20°C – +60°C

Materials

Cabinet	Aluminium and glass
Support	Stainless steel. Adjustable viewing angle

Connectivity

Input signal	DVI-I (1 input) – HDCP Compliant
--------------	----------------------------------

Electrical

Low voltage <i>(external power supply)</i>	100-240Vac, 50/60Hz, 12Vdc
Power consumption	60W

Mechanical

Monitor dimensions	539 x 369 x 28 mm [21.22"x14".52x1.10"]
Weight	10.5 kg / 23.1 lbs
Shipping Dimensions:	
Weight	11.5 kg / 25.3 lbs
Shipping Box	585 x 600 x 250 mm

OPTIONS

- Touch screen

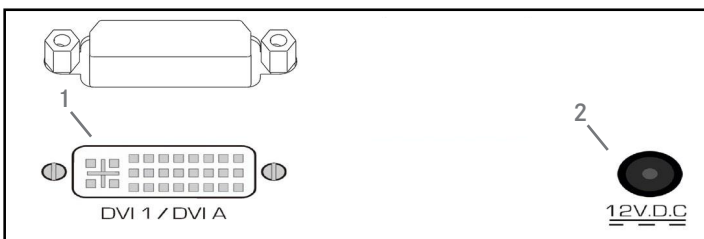
CERTIFICATIONS

- CE

WARRANTY

- 2 years general warranty

CONNECTIVITY PANEL



CONNECTIVITY

- 1- DVI-1 / DVI-A video input - analog / digital
- 2- 12 D.C. power supply input

ARCHITECT'S SPECIFICATIONS

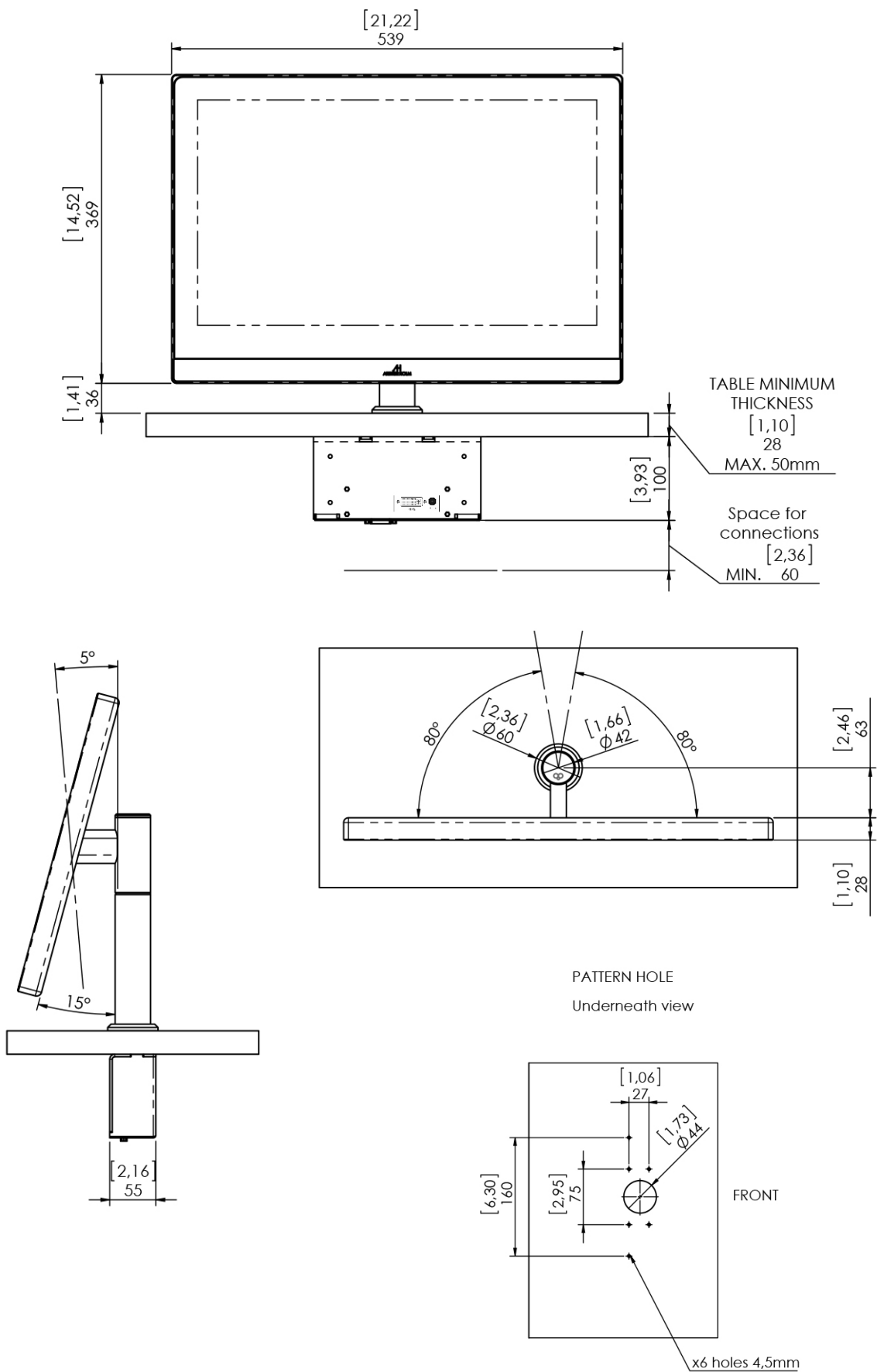
Professional 21.5" widescreen monitor for fixed installations. Solid block of aluminium monitor housing, with square corners design. Stainless steel support. Front glass. Fixed installation. No visible cables, screws or ventilation holes. Adjustable tilting angle.

80 degrees horizontal rotation. Under desk mounting and connection. DVI-I connector. HDCP compliant input. External power supply.

ARTHUR HOLM

Albiral Display Solutions SL · Fàtima, 25 Sant Hipòlit de Voltregà 08512 Bcelona, Spain · +34 938 502 376 · marketing@arthurholm.com
www.arthurholm.com

Arthur Holm is a registered brand of Albiral Display Solutions SL. Specifications subject to change without previous notice.



ARTHUR HOLM

Albiral Display Solutions SL · Fàtima, 25 Sant Hipòlit de Voltregà 08512 Bcelona, Spain · +34 938 502 376 · marketing@arthurholm.com
www.arthurholm.com

Arthur Holm is a registered brand of Albiral Display Solutions SL. Specifications subject to change without previous notice.