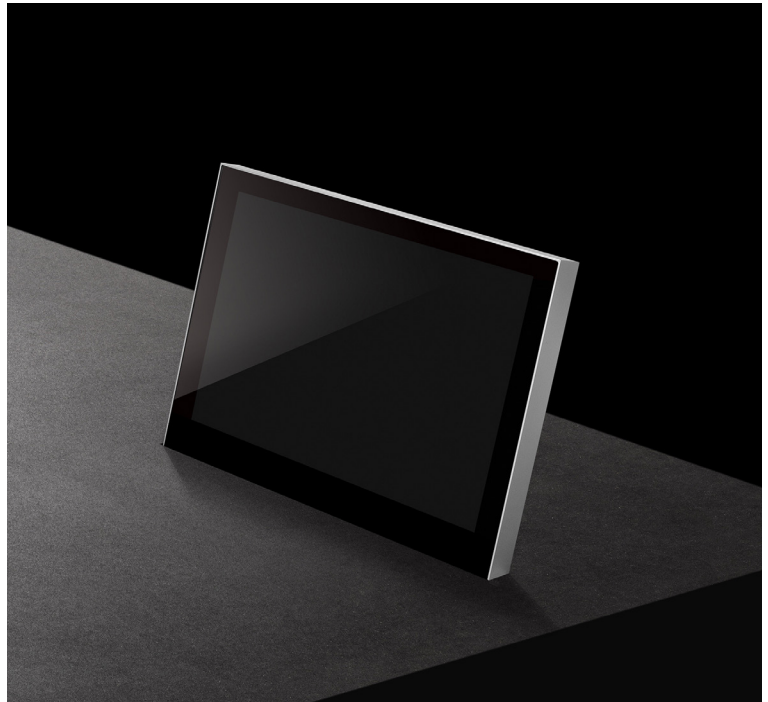
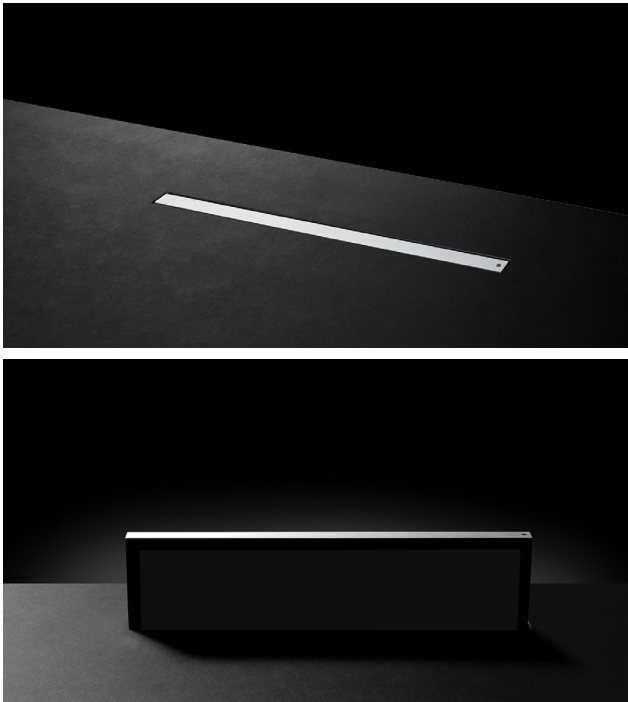
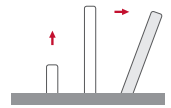


DB2

Aluminium retractable motorised monitor



FEATURES

- Vertical motorised monitor with up to 20° inclination
- Adjustable screen angle tilt
- No cover plate required (monitor completely streamlined within the furniture)
- One operation sensor on top of the aluminium housing (to rise and lower the screen and adjust the tilt angle)
- 20 mm thickness
- Front double sided unreflecting 2 sides coating 2 mm black edged glass
- Can be veneered
- Interactive Setup Display
- Maintenance free
- HDCP compliant
- Energy saving design, low consumption video controller
- Serial control and remote diagnosis
- Individual monitor addressing
- AH-AMMC Auto Mechanical Movement Calibration

GENERAL

Arthur Holm's DB2 is a motorised retractable monitor range that creates minimum impact on the furniture's design. It is easy to integrate, intuitive to use (one simple operation sensor located on the top of the monitor) and almost invisible (no cover plate, neatly streamlined into the furniture) when not in operation. DB2 provides a harmonious silent drive with variable speeds. With a maximum thickness of 20 mm, this monitor range is elegant, beautiful from all angles and can be veneered for a seamless integration in the furniture, creating a long lasting user's experience and delivering an exceptional image's quality. We have selected the best possible aluminium finishing specifications in the world, providing the maximum technical and visual performance.

The screen is protected with an anti-reflective 2 side coating 2 mm black edged glass. DB2 are available from 10" to 23.8" with 2 DVI-HDCP compliant inputs and equipped with an Interactive Setup Display (ISD) allowing the control, setup and diagnose of the monitors. Monitors provide RS-422 I/O allowing the remote control of movements, speed, safety settings, brightness, contrast and backlight. The monitors are equipped with AH-AMMC: An auto mechanical calibration movement system. The use of the Arthur Holm's ERT will enable the address configuration of all the monitors installed in a table by simply pressing a button. The AHlink Android and iOS App allows getting the monitor's serial number without removing the unit from the table and allows access to the setup and control menu.

ARTHUR HOLM

Albiral Display Solutions SL · Fàtima, 25 Sant Hipòlit de Voltregà 08512 Bcelona, Spain · +34 938 502 376 · marketing@arthurholm.com
www.arthurholm.com

Arthur Holm is a registered brand of Albiral Display Solutions SL. Specifications subject to change without previous notice.

Technology serving Design
Danish craftsmanship, Mediterranean soul

TECHNICAL SPECIFICATIONS

Display

Size	FULL HD 21.5" TFT Active Matrix, widescreen format. LED backlight
Resolution	1920 (h) x 1080 (v)
Brightness	350 cd/m2
Contrast ratio	1000:1
Pixel	0.24975 (h) x 0.24975 (v) mm
Viewing angle	89°/89°(l/r) 89°/89°(u/d)
Viewing area	476.064 (h) x 267.786 (v) mm
LED backlight lifespan	50,000 hrs
Response time	Tr 12ms, Tf 10ms
Temperature (operating/storage)	Operating 0°C ~ +40°C Storage -20°C ~ +60°C

Materials

Cabinet	Solid mechanised aluminium housing with anodised finish. Electrically powered lift system with variable speed. 20° inclination. Front black serigraphed glass.
---------	--

Connectivity

Input signal	DVI-I (1 input) – HDCP compliant DVI-D (1 input) – HDCP compliant
RJ45 CAT6 (with loop)	Addressable RS422 monitor control by AHnet protocol
GPI (SubD9)	Up/Down control

Engine

Control Up/Down	Buttons on cover plate, GPI, RS422
Electronic control	PWM

Control

Monitor Control	RS422 (RJ45 CAT6)
-----------------	-------------------

Electrical

External power supply	100-240 Vac, 47/63Hz, 12Vdc
Power consumption	70W

Accessories

ERT	Ethernet interface unit
AH mcs	Monitor Control Software

Mechanical

Monitor Dimensions:

Screen	518 x 310.78 x 20 mm [20.39" x 12.23" x 0.79"]
Top frame	518 x 20 mm [20.39" x 0.79"]
Housing below the table	621 x 607 x 80 mm [24.45" x 23.9" x 3.15"]
Weight	18 Kg / 39.6 Lbs

Shipping Dimensions:

Weight	19.5 Kg / 42.9 Lbs
Shipping Box	725 x 175 x 715 mm [28.54" x 6.89" x 28.15"]

OPTIONS

- Projected capacitive multi-touch screen
- Monitor housing anodised in black
- DynamicLoop
- DynamicShare

WARRANTY

- 5 years limited warranty
- 2 years general warranty

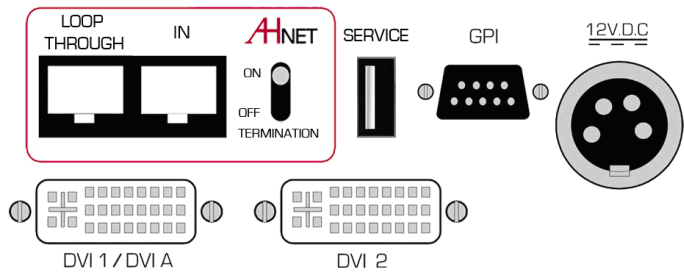
ARTHUR HOLM

Albiral Display Solutions SL · Fàtima, 25 Sant Hipòlit de Voltregà 08512 Bcelona, Spain · +34 938 502 376 · marketing@arthurholm.com
www.arthurholm.com

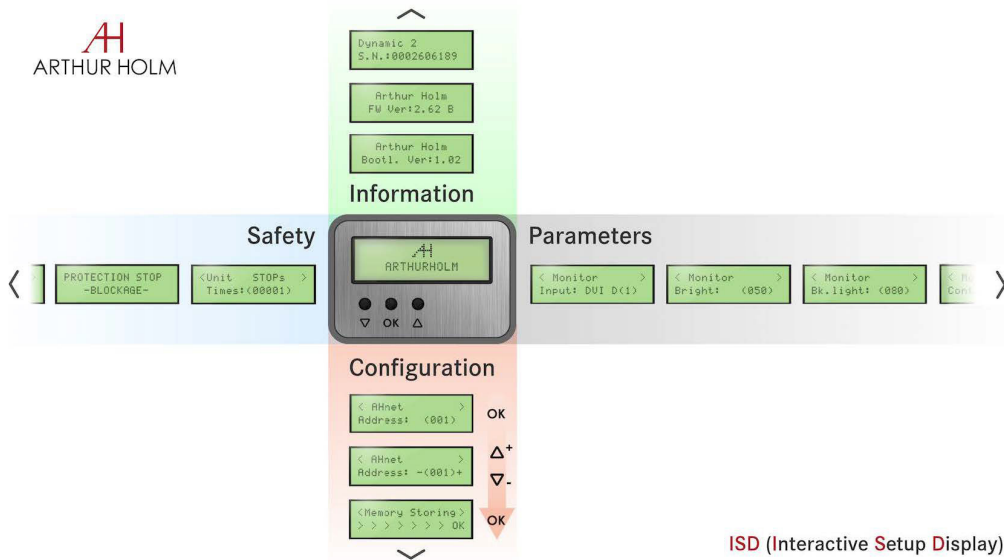
Arthur Holm is a registered brand of Albiral Display Solutions SL. Specifications subject to change without previous notice.

Technology serving Design
Danish craftsmanship, Mediterranean soul

CONNECTIVITY PANEL



INTERACTIVE SETUP DISPLAY



ISD (Interactive Setup Display)

ARCHITECT'S SPECIFICATIONS

Vertically retractable motorised 21.5" Full HD professional monitor. The monitor housing shall be made of milled anodised aluminium with a maximum thickness of 20 mm and the screen shall be protected with an unreflecting 2 side coating black edged 2 mm glass. The monitor shall allow its installation in a furniture opening with a maximum width of 24 mm and shall be designed to be veneered to match the furniture's surface.

The monitor housing shall be flush with the table when the monitor is in recessed position.

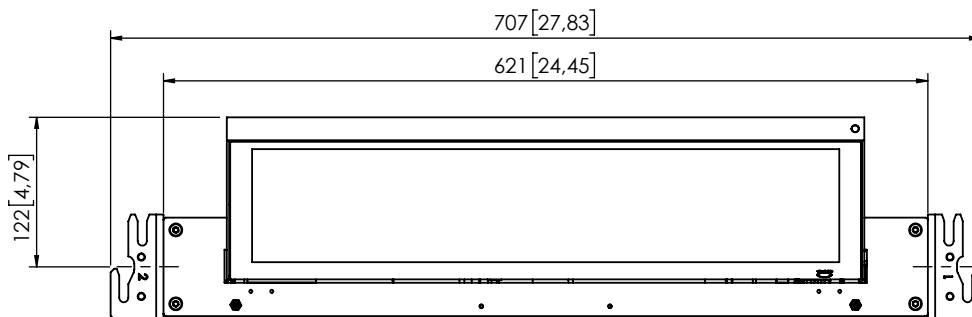
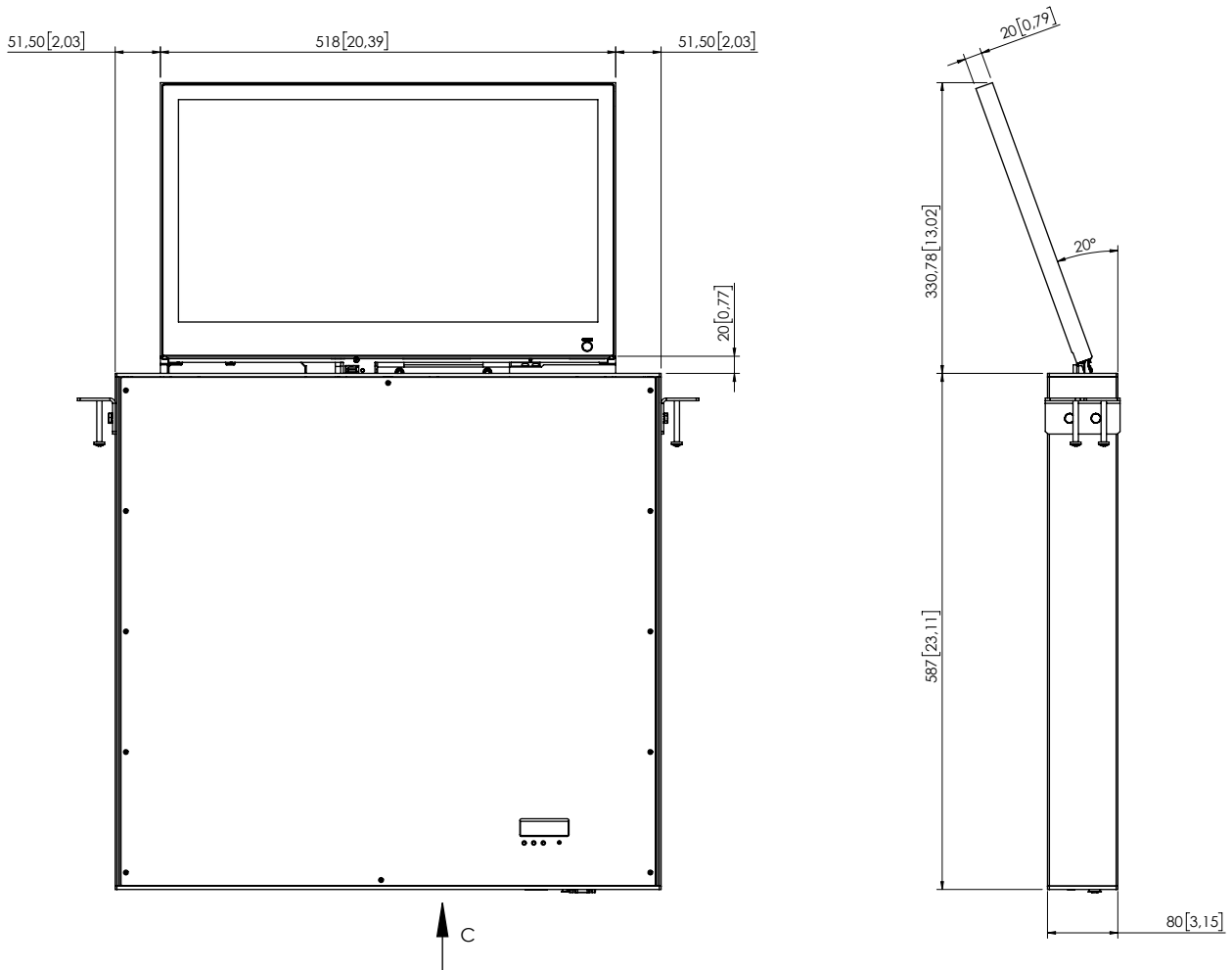
A capacitive button that shall be placed at the top of the monitor shall activate the monitor's movements. The monitor shall have a brightness of 350 cd/m2, a contrast ratio of 1000:1 and a backlight lifespan of 50,000 hours.

The monitor shall provide 2 DVI HDCP inputs by a licensed HDCP monitor manufacturer.

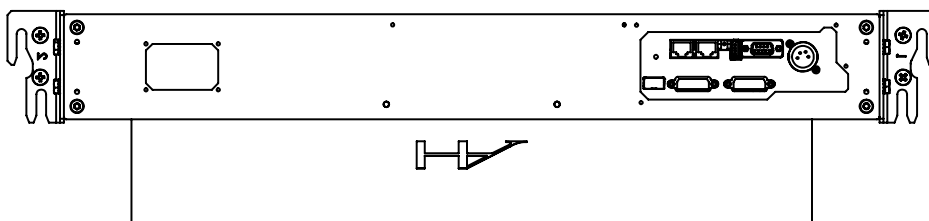
The monitor shall provide an addressable RS-422 and an easy to read Interactive Setup Display (ISD) to access the safety parameters, the setup of the speed and the control of the brightness, contrast and backlight. The monitor shall be able to run an auto-adjustment program to reset the factory setups.

The monitor shall provide a USB port for firmware upgrades. The monitor shall be controlled by a wireless Android and iOS App providing information about the monitor's serial number, and providing access to the control and to the setup menu.

GENERAL DIMENSIONS



VIEW C



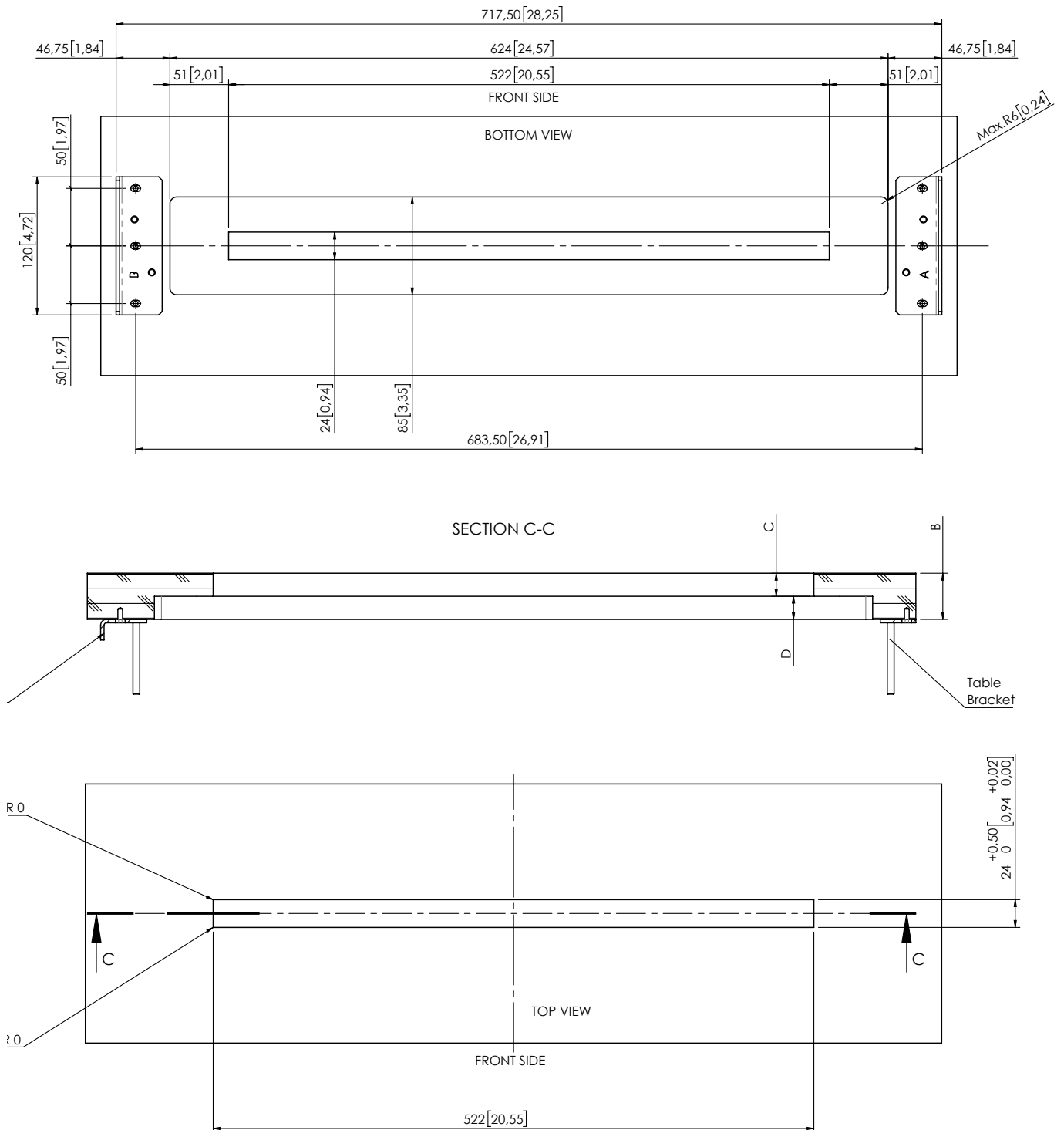
ARTHUR HOLM

Albiral Display Solutions SL · Fàtima, 25 Sant Hipòlit de Voltregà 08512 Bcelona, Spain · +34 938 502 376 · marketing@arthurholm.com
www.arthurholm.com

Arthur Holm is a registered brand of Albiral Display Solutions SL. Specifications subject to change without previous notice.

Technology serving Design
Danish craftsmanship, Mediterranean soul

GENERAL DIMENSIONS



ARTHUR HOLM

Albiral Display Solutions SL · Fàtima, 25 Sant Hipòlit de Voltregà 08512 Bcelona, Spain · +34 938 502 376 · marketing@arthurholm.com
www.arthurholm.com

Arthur Holm is a registered brand of Albiral Display Solutions SL. Specifications subject to change without previous notice.

Technology serving Design
Danish craftsmanship, Mediterranean soul