

Dynamic3

HDCP compliant aluminium foldable and rotatable monitor



FEATURES

- Opens, folds down and rotates 180°
- 2 working positions: vertical and horizontal
- Automatic image flip
- Adjustable and memorisable tilt angle from 90 to 110°
- Synchronised tray lift movement
- Entirely built of aluminium
- 2 DVI I/HDCP compliant
- Interactive Setup Display (ISD)
- Front double sided anti-reflective 2 sides coating 3 mm black edged glass
- Low profile monitor enclosure
- Floating security sensor
- Maintenance free
- HDCP compliant
- Energy saving design, low consumption video controller
- Serial control and remote diagnosis
- Wireless connectivity for setup and control
- Individual monitor addressing
- Auto Mechanical Movement Calibration (AH-AMMC)
- 40 Pounds workload

GENERAL

Arthur Holm Dynamic3 is a motorised product range that provides different working positions while keeping a low profile inside the working desk and a perfect integration in the furniture. The aluminium monitor housing rises and leans, has an additional 180° rotation movement, and retracts inside the work surface in 2 different positions: with the monitor oriented up or down.

The screen's lifting system automatically activates the elevation of a tray where keyboard and mouse can be placed. We have selected the best possible aluminium finishing specifications in the world, providing the maximum technical and visual performance and the screen is protected with an anti-reflective 2 side coating 3 mm black edged glass.

Dynamic3 is available from 15.6" to 21.5", with 2 DVI-HDCP compliant inputs and equipped with an interactive setup display (ISD) allowing the control, setup and diagnose of the monitors. Monitors provide RS-422 I/O allowing the remote control of movements, speeds, safety settings, brightness, contrast and backlight.

The monitors are equipped with an auto mechanical calibration movement system. The use of the Arthur Holm's ERT will enable the address configuration of all the monitors installed in a table by simply pressing a button. The AHlink Android and iOS app allows getting the monitor's serial number without accessing the interior of the table and allows access to the setup and control menu.

ARTHUR HOLM

Albiral Display Solutions SL · Fàtima, 25 Sant Hipòlit de Voltregà 08512 Barcelona, Spain · +34 938 502 376 · marketing@arthurholm.com · www.arthurholm.com
Arthur Holm is a registered brand of Albiral Display Solutions SL. Specifications subject to change without previous notice.

Technology serving Design

Display

Size	FULL HD 17.3" TFT Active Matrix
Resolution	1920 (h) x 1080 (v)
Brightness	400 cd/m2
Contrast ratio	600:1
Pixel	0.1989 (h) x 0.1989 (v) mm
Viewing angle	60°/80° (u/d) / 80°/80° (l/r)
Viewing area	381.888 (h) x 214.812 (v) mm
LED backlight lifespan	50,000 hrs
Response time	Tr 37 ms, Tf 3 ms
Temperature (operating/storage)	Operating 0°C – +40°C Storage -20°C – +60°C

Materials

Monitor housing	Anodised Aluminium
Glass	AR 2 side with an anti-reflective coating on the glass surface. Thickness: 3.0 ± 0.3 mm
Cover plate	Anonised aluminium

Connectivity

Input signal	DVI-I (1 input) – HDCP Compliant DVI-D (1 input) – HDCP Compliant
RJ45 CAT5 (with loop)	Addressable RS422 monitor control by AHnet protocol
GPI (SubD9)	Movements Control
USB	For service

OPTIONS

- DynamicLoop
- DynamicShare
- Projected capacitive multi-touch screen
- Built-in camera
- Built-in DynamicTalk
- Integrated connectors on cover plate
- Retractable HDMI cable
- Underneath installation prepared to be veneered
- Laser engraved logotype on cover plate
- Keyboard and mouse
- Priority button
- Anodised in black
- Gold finish
- Bronze finish
- Painted

Control

RJ45, RS-422 (I/O)
Addressing
Termination switch
GPI
IR Remote control (monitor adjustments): 1 / 5

Movement's Control

User interface on monitor	(Up/Down)
Remote	RS-422 I/O/GPI

Electrical

Low voltage (external power supply)	100-240Vac, 47/63Hz, 12Vdc
Power consumption	50W

Mechanical

Dimensions:	
Upper cover plate	509 x 419 x 3.25 mm [20.03" x 16.49" x 0.98"]
Housing below the table	499 x 401.9 x 102.5 mm [19.64" x 15.82" x 4.03"]
Weight	17.7 Kg / 39.02 Lbs
Shipping Dimensions:	
Weight	18.8 Kg / 41.4 Lbs
Shipping Box	559 x 469 x 222 mm [22" x 18.46" x 8.74"]

BENEFITS

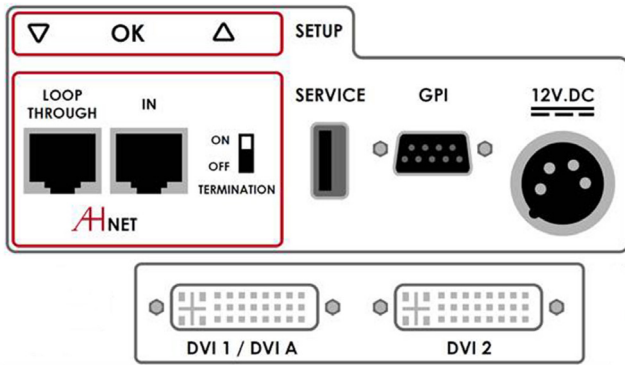
- Flexibility and versatility
- No loss of work space
- Low profile monitor enclosure
- Keyboard and mouse storage space

CERTIFICATIONS

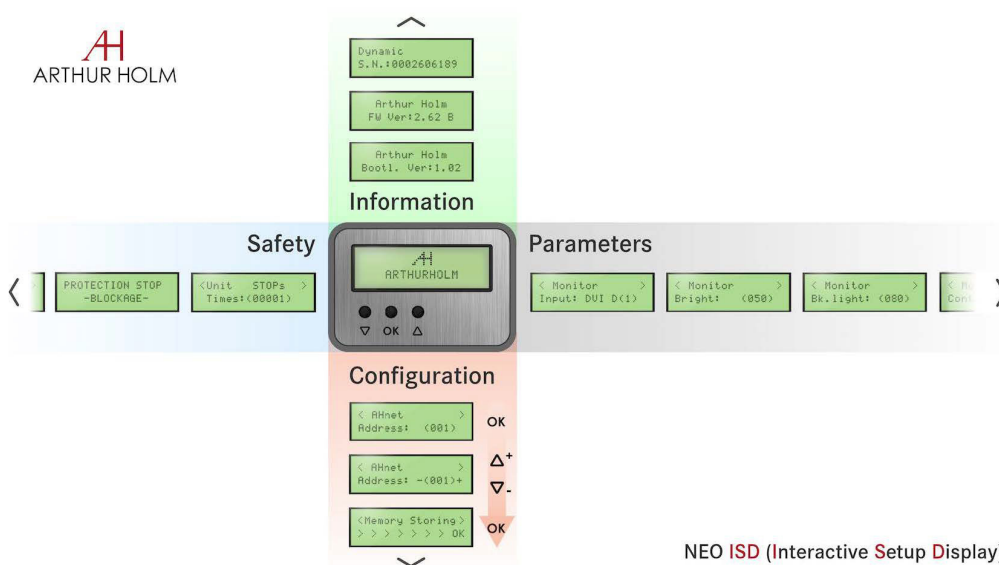
- CE
- FCC
- IECEE

WARRANTY

- 2 years limited warranty



INTERACTIVE SETUP DISPLAY



NEO ISD (Interactive Setup Display)

CONSULTANTS, ARCHITECTS AND ENGINEERS SPECIFICATIONS

Motorised foldable and rotatable 17.3" Full HD professional monitor. The monitor housing shall be made of milled anodised aluminium and the screen shall be protected with anti-reflective 2 side coating black edged 3 mm glass. The monitor shall have a brightness of 400 cd/m2, a contrast ratio of 600:1 and a backlight lifespan of 50,000 hours.

The monitor’s opening mechanism shall activate automatically the rising of a synchronised aluminium tray covering the entire opening surface. The monitor shall provide 2 working positions: vertical with an adjustable tilt angle of up 20° and horizontal flush on the table. The monitor shall be capable to rotate 180° and to be folded with the screen facing down. The monitor shall provide 2 DVI HDCP inputs by a licensed HDCP monitor manufacturer. The monitor shall provide an addressable RS-422 and an easy to read interactive setup display (ISD) to access

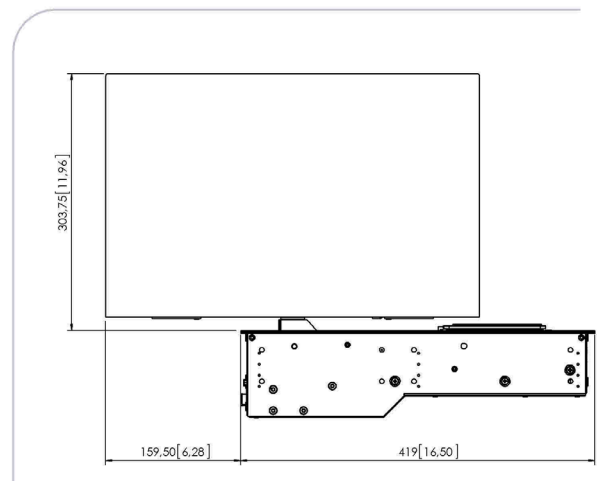
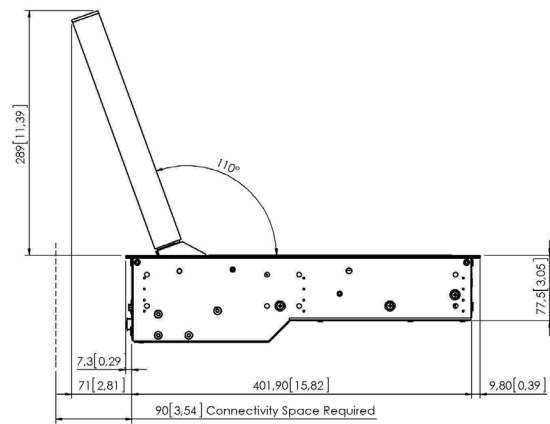
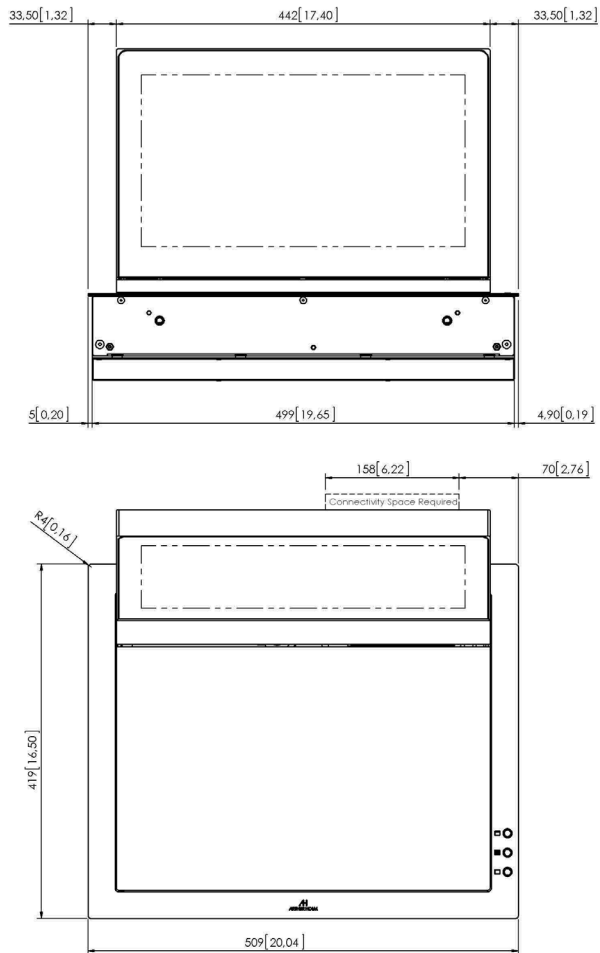
the safety parameters, the setup of the speeds and the control of the brightness, contrast and backlight and remote setup support and diagnostic. The monitor shall provide a dual safety system that detects obstructions causing the unit to stop through a floating security sensor. The monitor shall be able to run an auto-adjustment program to reset the factory security ratio between its factory movement speed and its protection parameters adapting the unit to the way it has been installed. The monitor shall provide a USB port for firmware upgrades.

The monitor shall be controlled by a wireless Android and iOS app providing information about the monitor’s serial number, and providing access to the control and to the setup menu. The monitor shall provide an automated image adaptation for vertical and horizontal monitor position.

ARTHUR HOLM

Albiral Display Solutions SL · Fàtima, 25 Sant Hipòlit de Voltregà 08512 Barcelona, Spain · +34 938 502 376 · marketing@arthurholm.com · www.arthurholm.com
 Arthur Holm is a registered brand of Albiral Display Solutions SL. Specifications subject to change without previous notice.

Technology serving Design



ARTHUR HOLM

Albiral Display Solutions SL · Fàtima, 25 Sant Hipòlit de Voltregà 08512 Barcelona, Spain · +34 938 502 376 · marketing@arthurholm.com · www.arthurholm.com
 Arthur Holm is a registered brand of Albiral Display Solutions SL. Specifications subject to change without previous notice.

Technology serving Design