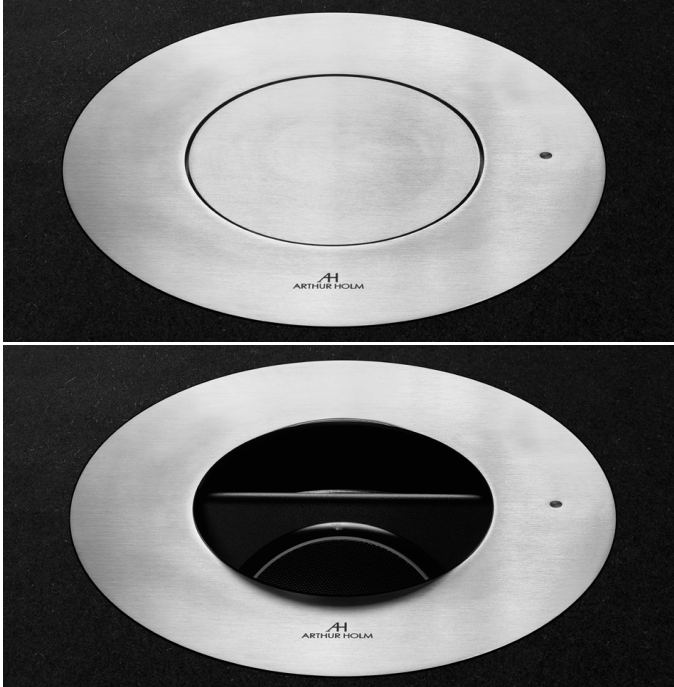


DynamicTalkB

Motorised microphone lift system for boundary microphones



FEATURES

- Motorised lift for boundary microphones
- Compact, space optimising and stylish solution
- Touch sensor on cover plate
- Maintenance free
- PoE
- Wireless connectivity for setup and control

GENERAL

Motorised microphone lift for boundary microphones and similar, controllable through network or directly on the device using the flush mounted touch control sensor.

The Arthur Holm DynamicTalkB microphone lift is designed to hide boundary microphones when not in use with a smooth, elegant and silent movement.

The microphone lift is capable of providing commands for automatic mute of the microphone (depending on the model and maker of the microphone) when moving and in storage position. The microphone lift is powered using PoE making it easy and compact to install and control. The housing is made out of steel and the upper cover plate is made in stainless steel.

Integrated wireless set-up and diagnosis.

ARTHUR HOLM

Albiral Display Solutions SL · Fàtima, 25 Sant Hipòlit de Voltregà 08512 Barcelona, Spain · +34 938 502 376 · marketing@arthurholm.com · www.arthurholm.com
Arthur Holm is a registered brand of Albiral Display Solutions SL. Specifications subject to change without previous notice.

Technology serving Design

Engine

| | |
|---------|--|
| Housing | Brushed stainless steel or black matt finish |
| | Button on upper cover plate |

Connectivity

| |
|-------------------------|
| Power over Ethernet |
| Ethernet AHnet commands |

Engine

| |
|-------------------------|
| Control Up/Down |
| RJ45 CAT6 |
| Ethernet AHnet commands |

Electrical

| | |
|-----------------------|------------------|
| External power supply | 100-240 Vac, PoE |
| Power consumption | 30W |

Mechanical

| | |
|-----------------------------|--|
| Case Dimensions: | |
| Upper cover plate | Ø 264 x 3 mm [10.39" x 0.11"] |
| Housing below the table | Ø 251 x 214,50 mm [9.88" x 8.44"] |
| Weight | 8 Kg / 17.63Lbs |
| Shipping Dimensions: | |
| Weight | 8.5 Kg/ 18.73 Lbs |
| Shipping Box | 365 x 365 x 370 mm [14.37" x 14.37" x 14.57"] |

OPTIONS

- Underneath installation
- Painted

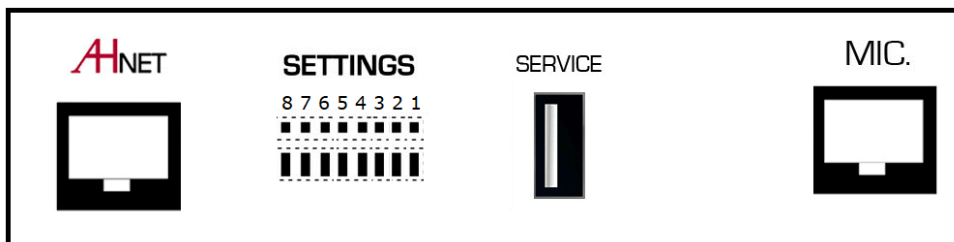
CERTIFICATIONS

- CE
- FCC

WARRANTY

- 2 years general warranty

CONNECTIVITY PANEL

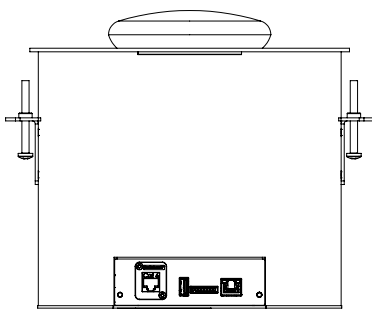


CONSULTANTS, ARCHITECTS AND ENGINEERS SPECIFICATIONS

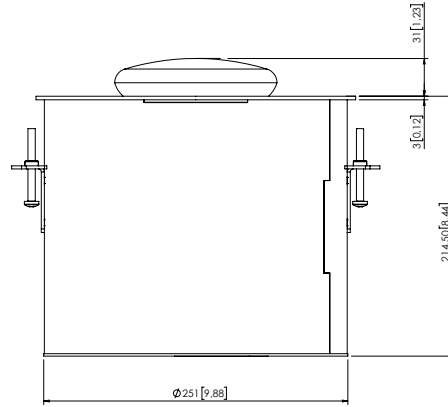
The motorised lift system shall lift and retract boundary microphones. The cover plate shall be made of stainless steel. The device shall be activated by a flush mounted control capacitive sensor or via network. The lift shall provide commands for automatic mute of the microphone when moving and when in storage position. The device shall be powered over Ethernet. The unit shall be compatible with a wireless app that allows its setup and control.



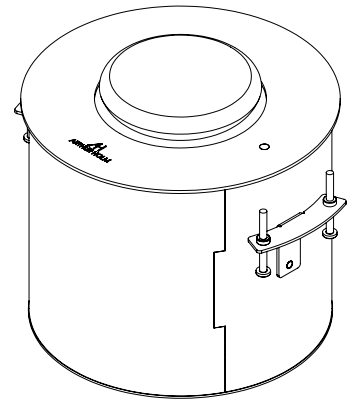
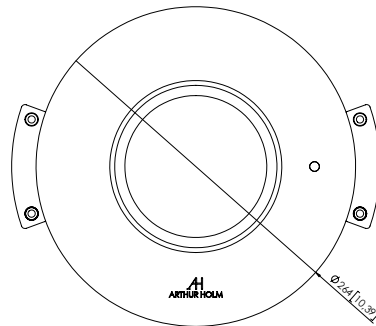
Motorised microphone lift system for boundary microphones



VIEW C
 180,00°



C



GENERAL DIMENSIONS
 Scale 1:3
 Dimensions in millimeters [inches]
 Revision: 0
 Projection:
 Structure: 0925GD000