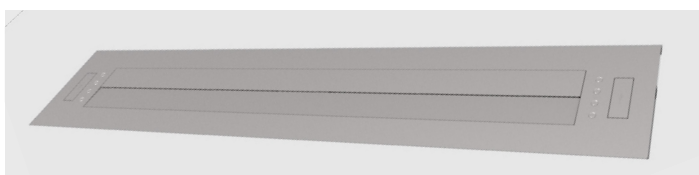
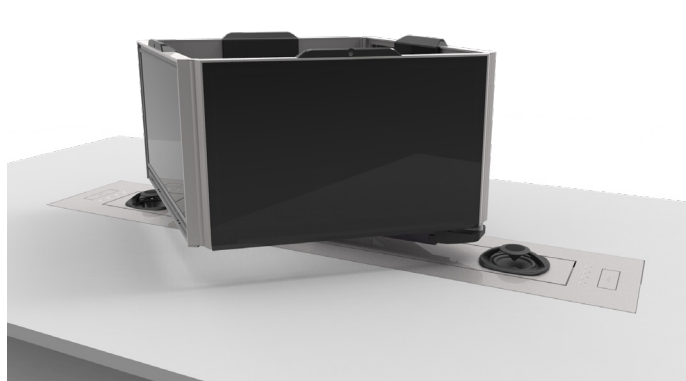


Dynamic4

The ultimate in meeting experiences offers flexibility, independence and mobility



FEATURES

- Creates uplifting, inspiring and productive meeting environments
- Creates a hybrid workplace, ready for remote and in-person teamwork (empower users to collaborate efficiently and effectively from anywhere)
- Utilises flexible, accessible and easy-to-use technology
- Design workplace environments that promote creativity and collaboration
- Accommodates flexible teams
- Creates seamless and intuitive work environments
- Rapidly and easily transforms a room into a dynamic collaboration space

HIGHLIGHTS

- All in one centre-of-table solution
- Helps to optimise space and provide versatility to the table
- Adaptable shapes to maximise use comfort
- Easy to operate so encourages use
- Seamless audio and video experience
- Built-in wire cables and connections
- Videoconferencing solution that allows remote team connection

ARTHUR HOLM

Albiral Display Solutions SL · Fàtima, 25 Sant Hipòlit de Voltregà 08512 Barcelona, Spain · +34 938 502 376 · marketing@arthurholm.com · www.arthurholm.com
Arthur Holm is a registered brand of Albiral Display Solutions SL. Specifications subject to change without previous notice.

Technology serving Design

Dynamic4

The ultimate in meeting experiences offers flexibility, independence



GENERAL

The Arthur Holm Dynamic4 is an all-in-one meeting solution composed of four high-resolution screens, four cameras, two speakers, two array microphones, a CPU, USB power and HDMI inputs. You only need to connect the power and Internet.

It allows users to connect wireless devices; cable connections are also available (2 x cable, 2 x wireless).

The Dynamic4 can adapt to various table shapes (round, square, rectangular), and also the number of attendees at the meeting. Thanks to this ingenious flexibility it is perfect for any table shape and any number of users, whatever the meeting requires, to accommodate the correct number of participants. The screen movements can be stored within the unit so users can always return to their preferred settings. Switching between the four inputs is internally stored inside the unit: it has a CPU built-in so you can connect to a server, or you can load your favourite platform like Zoom, Teams, Skype etc.

With the microphone and speakers built-in, it is a perfect solution for conference calls. Switching takes place neatly inside. It is so easy to set up. Dynamic4 allows users to transform a normal standard table surface into a complete working solution that provides the latest multimedia technology. (Dynamic4 can be integrated into your own table, or a table may be ordered from Arthur Holm with a customised finish to match your office interior. It can also be integrated into a flight case for crisis pop up meetings). Four high resolution monitors appear smoothly from inside the table interior in an upright, streamlined motion. The mechanism then groups the monitors in a practical square or diamond shape, and rotates them to achieve the most comfortable user position. The mechanism is activated by push buttons, RS422, GPI or remotely by a wireless app (AHlink). Inside the enclosure is a lifting platform that gives the user access to a complete tabletop multimedia system: 4 high-resolution screens, microphones, cameras and speakers. The unit has two motorised covers which open downwards to allow the lifting platform elevation.

The user can:

- 1.- Open the display system by changing from a diamond shape to a square.
- 2.- Close the display system back to the diamond shape.
- 3.- Rotate the system.

This system is designed to optimise:

1.- Small working spaces:

D4 is a flexible system which can adapt small workplaces into a comfortable space for up to 8 people. This creates an improved environment where all participants face the centre, so that a more comfortable and natural meeting for video calls and presentations is achieved while keeping the eye contact.

2.- Unit's architecture:

D4 requires just one single device to operate and perform. (Previously 4 different units would have been required to do this).

3.- Work environment adaptation:

D4 adapts to the best layout depending on the table top where it has been integrated, including the desired working mode, and can be used for individual or teamwork interaction.

Display

Size	FULL HD 17.3" TFT Active Matrix, widescreen format. LED backlight
Resolution	1920 (h) x 1080 (v)
Brightness	400 cd/m2
Contrast ratio	600:1
Pixel	0.1989 (h) x 0.1989 (v) mm
Viewing angle	60°/80°(u/d) 80°/80°(l/r)
Viewing area	381.888 (h) x 214.812 (v) mm
LED backlight lifespan	50,000 hrs
Response time	Tr 37ms, Tf 3 ms
Temperature (operating/storage)	Operating 0°C ~+40°C Storage -20°C ~+60°C

Materials

Monitor housing	Anodised aluminium
-----------------	--------------------

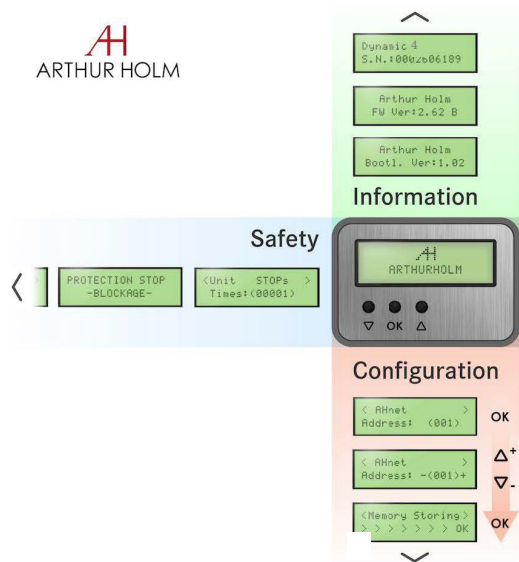
Input cable type of choice (x2)

HDMI or USB or Mini display port
USB
Mini display port

Connections

Addressable RS422 control by AHnet protocol
Input signal
1 HDMI
Customers network
AHnet
Power supply
Power USB (x4)
5V
Operating system
Windows 10
Webcam (x4)
5MP
Auto Focus
Speaker (x2)
60 W power
Extended response and low distortion
Microphone (x2)
Microphone array

INTERACTIVE SETUP DISPLAY (ISD)

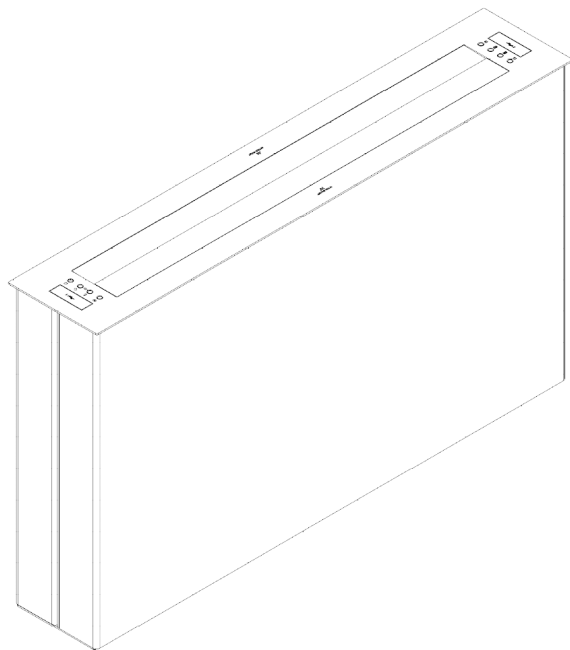
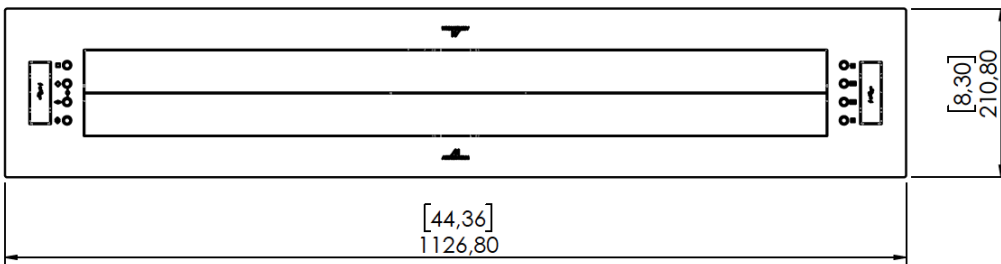
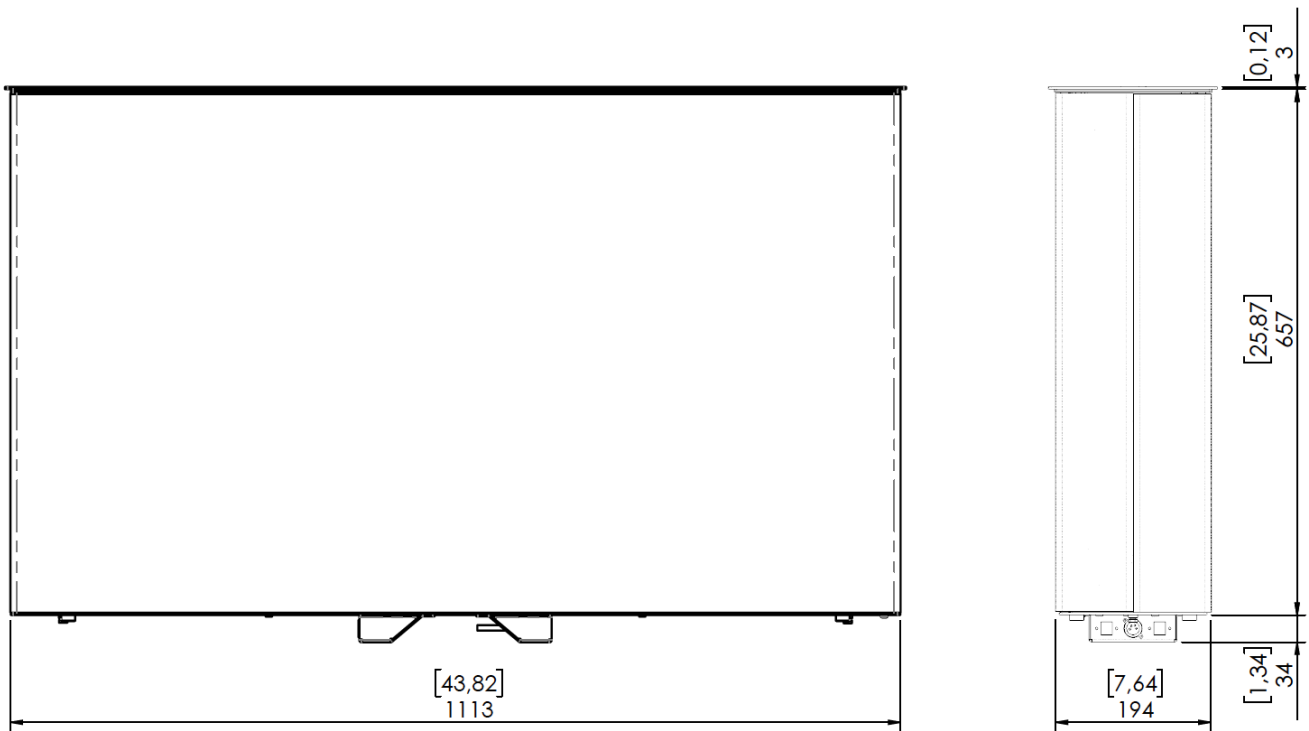


OPTIONS

- Projected capacitive multi-touch screen (up to 4)

WARRANTY

- 2 years general warranty



ARTHUR HOLM

Albiral Display Solutions SL · Fàtima, 25 Sant Hipòlit de Voltregà 08512 Barcelona, Spain · +34 938 502 376 · marketing@arthurholm.com · www.arthurholm.com
 Arthur Holm is a registered brand of Albiral Display Solutions SL. Specifications subject to change without previous notice.

Technology serving Design