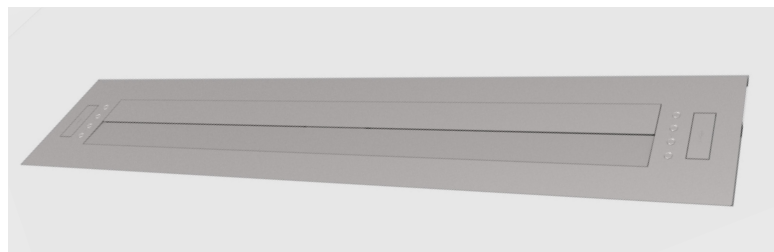


Dynamic4

Microsoft Windows Based Media Meeting Point



The Dynamic4 is a unique Microsoft Windows based media meeting point that creates an unmatched meeting platform with extended flexibility. It comprises a motorised mechanism of 4 screens with 4 integrated cameras, 2 speakers, 2 array microphones, a CPU, 4 USB power and 2 tabletop HDMI inputs. It is a center of table solution that helps to optimize the space and to keep the eye contact during the meetings. By the push of a button, 4 monitors will raise from the table surface. These monitors can be raised and retracted, they can move to different shapes and rotate to find the perfect position according to the different seats around the table. These monitors can be arranged according to the number of meeting attendees and their position, from a flat diamond shape to a square shape. A software driver allows the 4 cameras to be shown simultaneously, and 2 array microphones together with the speakers ensure a perfect speech intelligibility. The internal CPU comes with Windows 10 and allows to connect to a server or to apps for remote meetings such as Zoom, Teams, Meet, Skype, etc.

ARTHUR HOLM

Albiral Display Solutions SL · Fàtima, 25 Sant Hipòlit de Voltregà 08512 Barcelona, Spain · +34 938 502 376 · marketing@arthurholm.com · www.arthurholm.com
Arthur Holm is a registered brand of Albiral Display Solutions SL. Specifications subject to change without previous notice.

Technology serving Design

Dynamic4

Microsoft Windows Based Media Meeting Point



The Dynamic4 can rapidly transform any room into an inspiring collaboration space. It is a flexible solution which can transform small workspaces to fully equipped meeting rooms for up to 8 attendees plus a presenter. It creates perfect environments where all participants face the center, so that a more comfortable and natural meeting for video calls and presentations is achieved while keeping the eye contact. Focus on the presentation is achieved, screens are close to the users ensuring a perfect visibility and avoiding distractions and interruptions; the whole concept is based on creating seamless and intuitive work environments that helps increasing efficiency and productivity. The capacity to change the position of the monitors makes it ideal to fit into different shapes of tables. It is very easy to integrate and to use. Online meeting platforms can be loaded in the internal CPU and local attendees can perfectly interact with the remote ones without having to look at a screen hanged on a wall and being perfectly captured by the built-in cameras while the proximity sound ensures a perfect audio quality.

And, when the meeting is over, the whole solution disappears within the desk and the table can be used for other purposes.

- It creates a hybrid workplace, ready for remote and in-person teamwork (empower users to collaborate efficiently and effectively from anywhere)
- It provides flexible, accessible and easy-to-use technology
- It creates uplifting, inspiring and productive meeting environments
- It provides versatility to the tables

Display (x4)

Size	FULL HD 17.3" TFT Active Matrix, widescreen format. LED backlight
Resolution	1920 (h) x 1080 (v)
Brightness	400 cd/m2
Contrast ratio	600:1
Pixel	0.1989 (h) x 0.1989 (v) mm
Viewing angle	60°/80°(u/d) 80°/80°(l/r)
Viewing area	381.888 (h) x 214.812 (v) mm
LED backlight lifespan	50,000 hrs
Response time	Tr 37ms, Tf 3 ms
Temperature (operating/storage)	Operating 0°C ~+40°C Storage -20°C ~+60°C

Materials

Monitor housing Finishing	Anodized aluminium Black or natural aluminium colour
Cover Plate Finishing	Stainless Steel mat

User Connectivity

Default	2 x Accesible HDMI Cables
Alternatively	Mini Display Port Display Port USB-C
USB Location	2 x 2 USB power manual pop up towers 1 tower each end of the cover plate

Installation Connectivity

1 x HDMI Input	
1 x RJ45: Network	
2 x RJ45 - AHnet (RS422)	
1 x External Power Supply	

User Interface

Four buttons on the side	To control movements and positions
Four buttons on the side	To select the video source
Wireless keyboard with pad	To access the integrated computer

Internal Computer

INTEL NUC * SPECIFICATIONS SUBJECT TO CHANGE	Intel Core i3-8109U (4MB Cache, 3GHz) DDR4-SDRAM M.2 SSD Intel Iris Plus Graphics 655 LAN, WLAN, Bluetooth Windows 10 IoT Enterprise
Optional CPU	INTEL NUC Mini-PC Core i5-7300U/ vPro/16GB RAM/256GB NVMe SSD/ Windows 10 Pro x64

Cameras

4 x 5MP Cameras * LOCATED ON TOP OF EACH MONITOR	Pixel: 5 Megapixel Resolution 2592 1944 Sensor OV5648 DSP Automatic white balance(AWB)\Automatic exposure(AEC)\Automatic Gain Control Camera Specification CCD Size 1/4inch Aperture F 2.8 Focus Length EFL 3.34mm Field of View FOV 70° Interface USB2.0
---	--

Audio

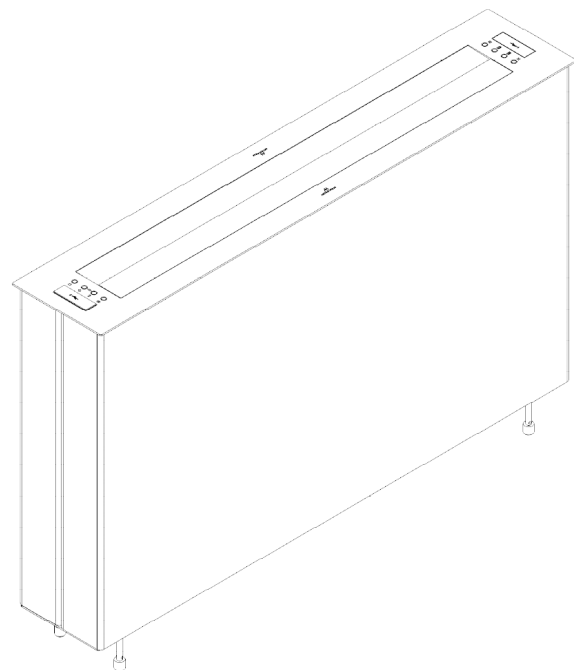
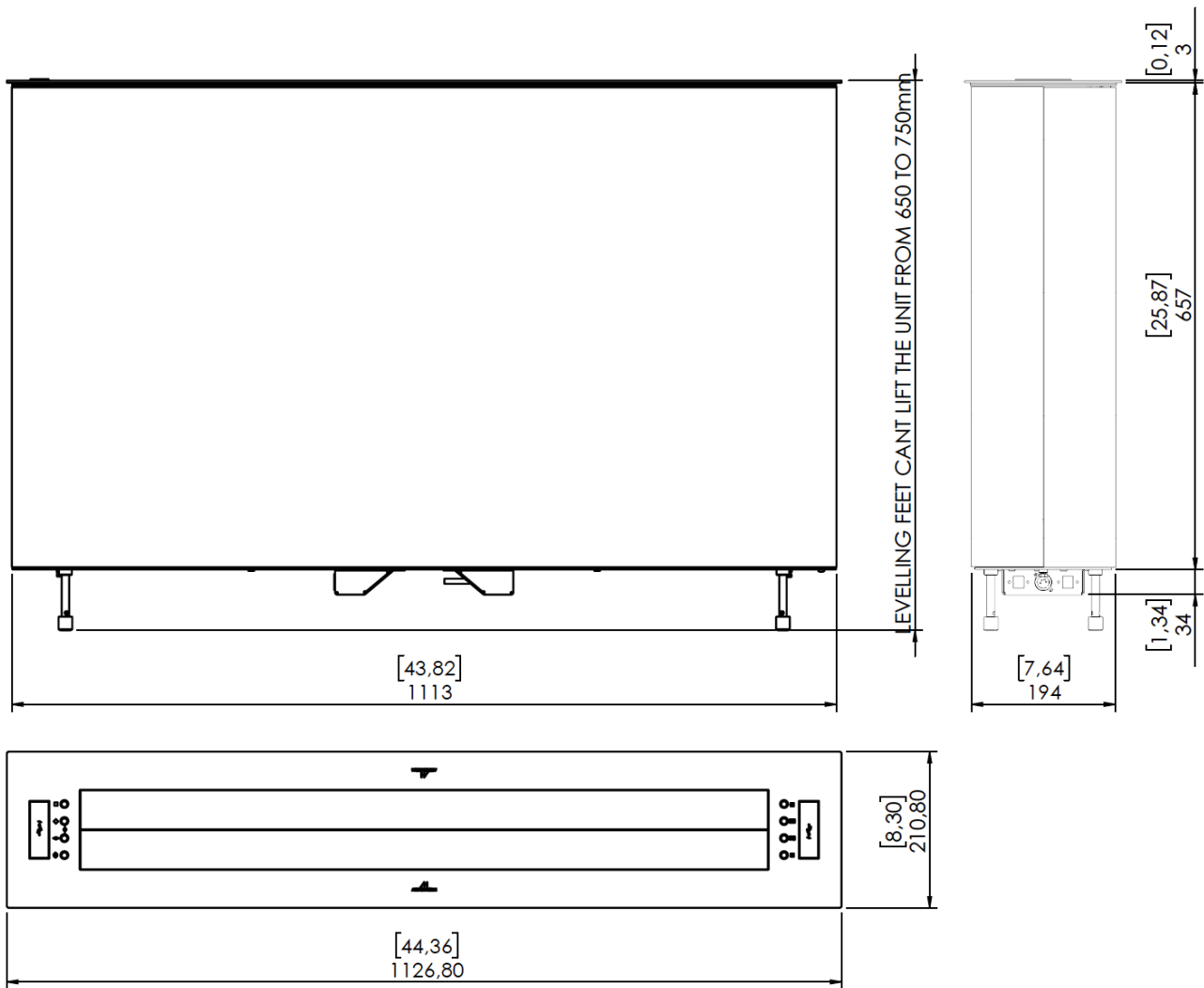
Microphones	2 Microphones, composed of 3 capsules
Speakers	2 x 3" Speaker with omni-directional diffuser
Amplifier	2 x 41 W Digital Amplifier
DSP	Internal DSP processing

OPTIONAL

- Projected capacitive multi-touch screen (up to 4)

WARRANTY

- 2 years general warranty



ARTHUR HOLM

Albiral Display Solutions SL · Fàtima, 25 Sant Hipòlit de Voltregà 08512 Barcelona, Spain · +34 938 502 376 · marketing@arthurholm.com · www.arthurholm.com
 Arthur Holm is a registered brand of Albiral Display Solutions SL. Specifications subject to change without previous notice.

Technology serving Design