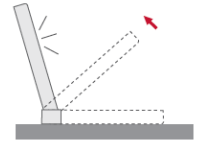


AH2

HDCP compliant aluminium manually foldable monitor



FEATURES

- Milled anodised aluminium monitor
- Manually foldable from 0 to 110°
- Totally adjustable position
- Ready for desk mounting
- Maintenance free
- Energy saving design, low consumption video controller

GENERAL

Arthur Holm AH2 manually foldable monitors are the perfect solution to create flexible and versatile tables needing to optimise the space. The monitor is fixed to the table surface through its milled aluminium base, allowing the user to adjust the viewing area of the monitor and holding the monitor in a firm working position. All connectors are placed under the table and cables are passed unseen through the base to the monitor, leaving the monitor minimalist design unobstructed.

AH2 are aluminium monitors that can be easily folded down to leave a direct line of sight to the other participants or activities taking place in the room. Furthermore, the low profile space needed for their installation allows users to have a large cable-free surface to work using both the screen and other materials over the desk.

ARTHUR HOLM

Albiral Display Solutions SL · Fàtima, 25 Sant Hipòlit de Voltregà 08512 Barcelona, Spain · +34 938 502 376 · marketing@arthurholm.com · www.arthurholm.com
Arthur Holm is a registered brand of Albiral Display Solutions SL. Specifications subject to change without previous notice.

Technology serving Design

Display

Size	Full HD 17.3" TFT Active Matrix, widescreen
Resolution	1920 (h) x 1080 (v)
Brightness	400 cd/m2
Contrast ratio	600:1
Pixel	0.1989 (h) x 0.1989 (v) mm
Viewing angle	60°/80° (u/d) / 80°/80° (l/r)
Viewing area	381.888 (h) x 214.812 (v) mm
LED backlight lifespan	50,000 hrs
Response time	Tr 37 ms, Tf 3 ms
Temperature (operating/storage)	Operating 0°C ~+40°C Storage -20°C ~+60°C

Materials

Monitor housing	Milled aluminium with anodised finishing
Glass	AR 2-side with an anti-reflective coating on the glass surface. Thickness: 3.0 ± 0.3 mm

Connectivity

Input signal	HDMI *(1 input) – HDCP Compliant *Use high quality cable maximum 2 metres length
--------------	---

Electrical

External power supply	100-240 Vac, 47/63Hz, 12Vdc
Power consumption	50W

Mechanical

Monitor Dimensions:	
Monitor dimensions	443 x 343 x 35.5 mm [17.44" x 13.5" x 1.39"]
Weight	9 Kg / 19.84 Lbs
Shipping Dimensions:	
Weight	10.1 Kg / 22.26 Lbs
Shipping Box	607 x 511 x 205 mm [23.89" x 20.11" x 8.07"]

OPTIONS

- Laser engraved logo
- Projected capacitive multi-touch screen
- Anodised in black
- Gold finish

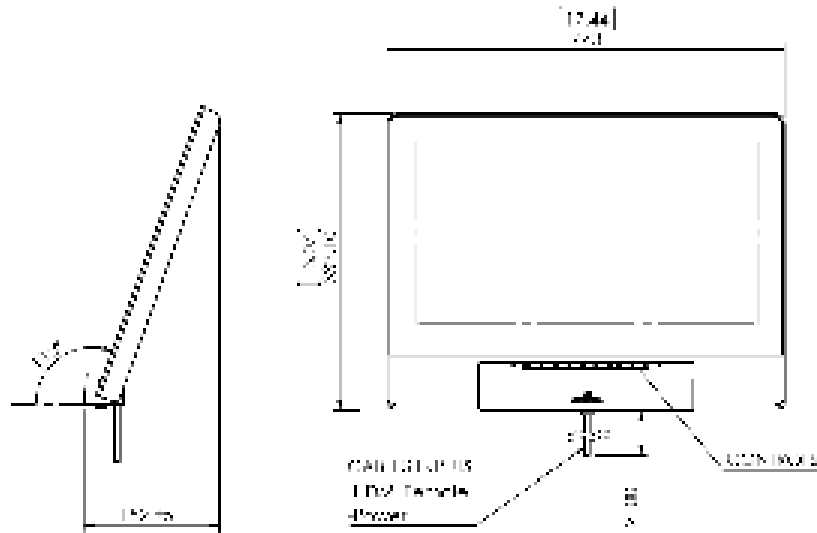
CERTIFICATIONS

- CE
- FCC
- IECEE CB

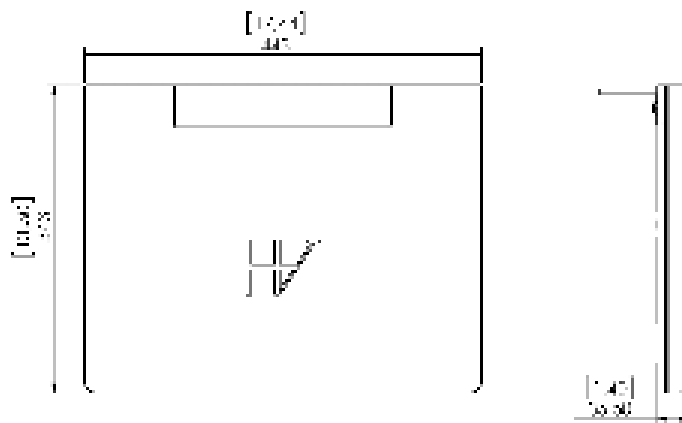
CONSULTANTS, ARCHITECTS AND ENGINEERS SPECIFICATIONS

The monitor shall provide a manually adjustable position from 0 to 110°. The monitor housing shall be made of anodised aluminium with an anti-reflective 2 sides coating 3 mm black edged glass. The monitor shall provide a milled aluminium base, allowing the user to adjust the viewing area of the monitor and holding the monitor in a firm working position. All connectors shall be placed under the table and cables shall be unseen through the base to the monitor. The 17.3" Full HD monitor shall have a brightness of 400cd/m2, a contrast ratio of 600:1 and a backlight lifespan of 50,000 hours. The monitor shall provide 1 HDMI HDCP input by a licensed HDCP manufacturer.

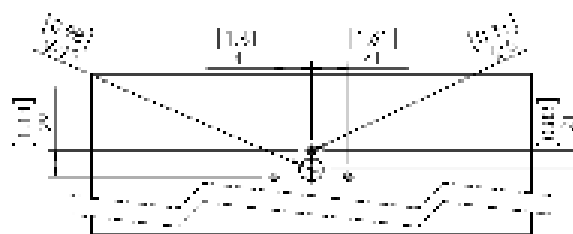
OPEN



CLOSED



DETAIL VIEW



ARTHUR HOLM

Albiral Display Solutions SL · Fàtima, 25 Sant Hipòlit de Voltregà 08512 Barcelona, Spain · +34 938 502 376 · marketing@arthurholm.com · www.arthurholm.com
 Arthur Holm is a registered brand of Albiral Display Solutions SL. Specifications subject to change without previous notice.

Technology serving Design