

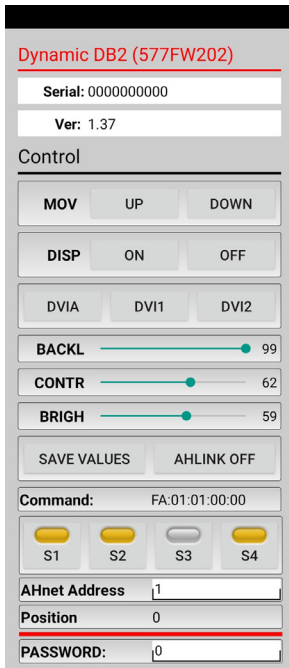
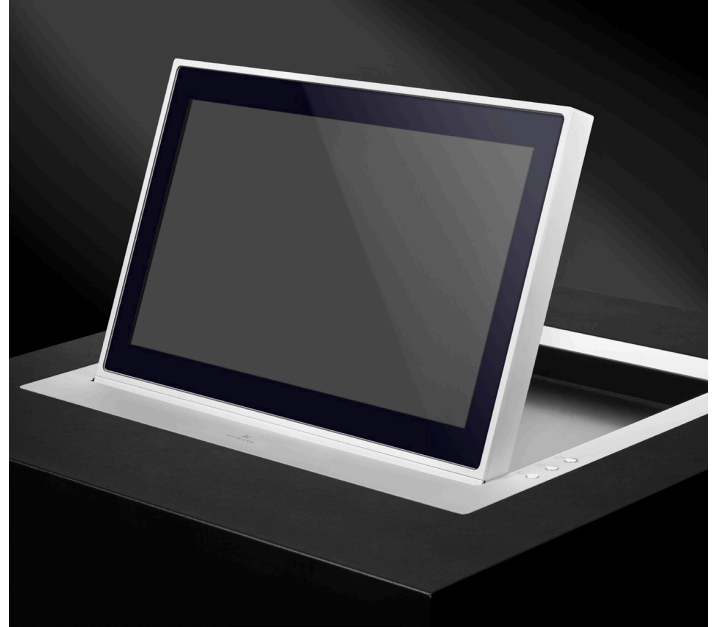
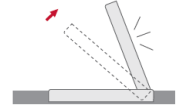


ARTHUR HOLM

AH22D1HGA

# Dynamic 1H

HDCP compliant aluminum foldable motorized monitor



## Highlights

- Horizontal motorized monitor
- Aluminum milled monitor housing
- Aluminum cover plate
- Low profile enclosure
- Front double sided anti-reflective 2 sides coating 3 mm black edged glass
- Rear gear
- Adjustable position from 0 to 70 °
- Position memory
- Interactive Setup Display (ISD)
- Passive cooling
- Energy saving design, low consumption video controller
- Serial control and remote diagnosis
- Wireless connectivity for setup and control
- Individual monitor addressing
- Auto Mechanical Movement Calibration (AH-AMMC)

AHlink : the App for setup, control and diagnose



ARTHUR HOLM

Albiral Display Solutions SL · Fàtima, 25 Sant Hipòlit de Voltregà 08512 Barcelona, Spain · +34 938 502 376 · marketing@arthurholm.com · www.arthurholm.com  
Arthur Holm is a registered brand of Albiral Display Solutions SL. Specifications subject to change without previous notice.

Technology serving Design

## General

Arthur Holm Dynamic1H is a motorized foldable monitor that provides a silent and robust lifting system with a patented dent rear gear drive. The screen is always visible; it raises and leans flush in the desk and can be stopped at any angle position from 0 to 70 ° of inclination. A smart memory system makes it easy setting up and recalling the desired monitor's position.

Both the monitor housing and the cover plate are made of aluminum, and has under gone an anodising treatment to toughen the aluminum surface to prevent scratches. We have selected the best possible aluminum specifications in the world, to be able to provide the maximum technical and visual performance. Dynamic1H provides 2 DVI-HDCP compliant inputs and equipped is with an Interactive Setup Display allowing the control, setup and diagnose of the monitors.

Monitors provide RS-422 I/O allowing the remote control of the movements, safety settings, brightness, contrast and backlight. The monitors are equipped with an Auto Mechanical Calibration Movement System. The use of Arthur Holm's ERT will enable the address configuration of all monitors installed by simply pressing a button on each monitor.

The AHlink app gives you wireless access to the monitor's setup menu, serial number and factory settings, making the installation and service of the monitors easy and straightforward, without having physically having to touch the monitor or that furniture. The AHlink app is available for Android and iOS.

## Technical Specifications

### Display

Size	FULL HD 21.5" TFT Active Matrix
Resolution	1920 (h) x 1080 (v)
Brightness	350 cd/m2
Contrast ratio	1000:1
Pixel	0.24975 (h) x 0.24975 (v) mm
Viewing angle	89°/89° (L/R)/89°/89°(U/D)
Viewing area	476.064 (h) x 267.786 (v) mm
LED backlight lifespan	50,000 hrs
Response time	Tr 12ms, Tf 10ms
Temperature (operating/storage)	Operating 0°C ~ +40°C Storage -20°C ~ +60°C

### Materials

Monitor housing	Anodized Aluminum
Glass	AR 2-side with an anti-reflective coating on the glass surface. Thickness: 3.0 ± 0.3 mm
Cover plate	Anodized aluminum

### Connectivity

Input signal	DVI-I (1 input) - HDCP Compliant - Digital / Analog DVI-D (1 input) - HDCP Compliant - Digital
RJ45 CAT6 (with loop)	Addressable RS422 monitor control by AHnet protocol
GPI (SubD9)	Up/Down control
USB	For service

### Control

RJ45, RS-422 (I/O), AHNet protocol	
Addressing	
Termination switch	
GPI	
IR Remote control (monitor adjustments): 1/5	

### Movement's Control

User interface on monitor	(Up/Down) Buttons on cover plate
Remote	RS-422 I/O, GPI

### Electrical

External power supply	100-240 Vac, 47/63Hz, 12Vdc
Power consumption	65W

### Accessories

ERT	Ethernet Interface Unit
-----	-------------------------

### Mechanical

Monitor Dimensions:	
Upper cover plate	605 x 441 mm x 3,25 mm [23.82" x 17.36" x 0.98"]
Housing below the table	591 x 423 x 76 mm [23.26" x 16.65" x 2.99"]
Weight	20 Kg / 44.09 Lbs
Shipping Dimensions:	
Weight	21 Kg / 46.29 Lbs
Shipping Box	649 x 512 x 212 mm [25.55" x 20.17" x 8.34"]

## ARTHUR HOLM

Albiral Display Solutions SL · Fàtima, 25 Sant Hipòlit de Voltregà 08512 Barcelona, Spain · +34 938 502 376 · marketing@arthurholm.com · www.arthurholm.com  
Arthur Holm is a registered brand of Albiral Display Solutions SL. Specifications subject to change without previous notice.

Technology serving Design

## Options

- Laser engraved logo
- Projected capacitive multi-touch screen
- Built-in camera
- DynamicTalkM
- Priority
- Connectors
- DynamicLoop
- DynamicShare

## Warranty

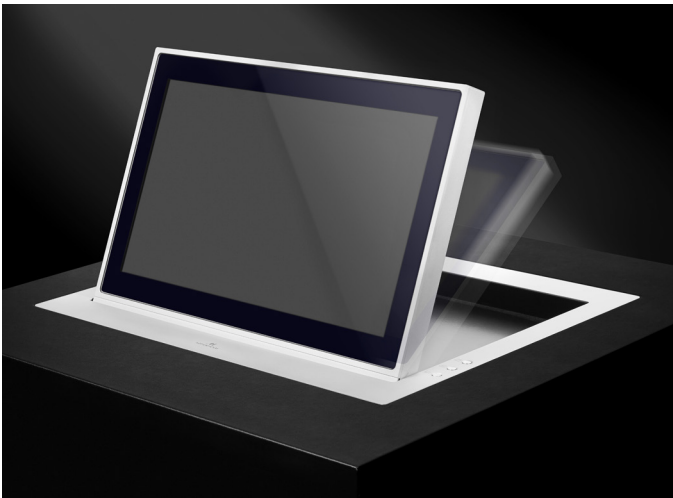
- 2 years general warranty

## Certifications

- CE
- FCC
- IECEE

## Finishes

- Black anodized
- Gold finish
- Bronze finish
- Painted

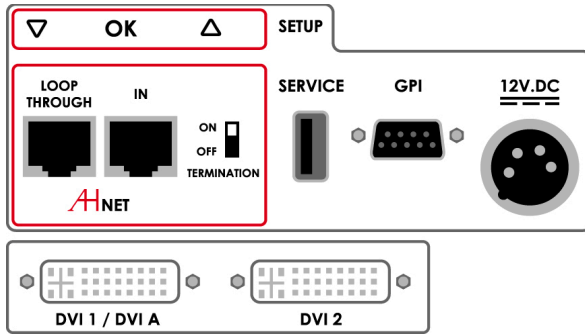


---

### ARTHUR HOLM

Albiral Display Solutions SL · Fàtima, 25 Sant Hipòlit de Voltregà 08512 Barcelona, Spain · +34 938 502 376 · marketing@arthurholm.com · www.arthurholm.com  
Arthur Holm is a registered brand of Albiral Display Solutions SL. Specifications subject to change without previous notice.

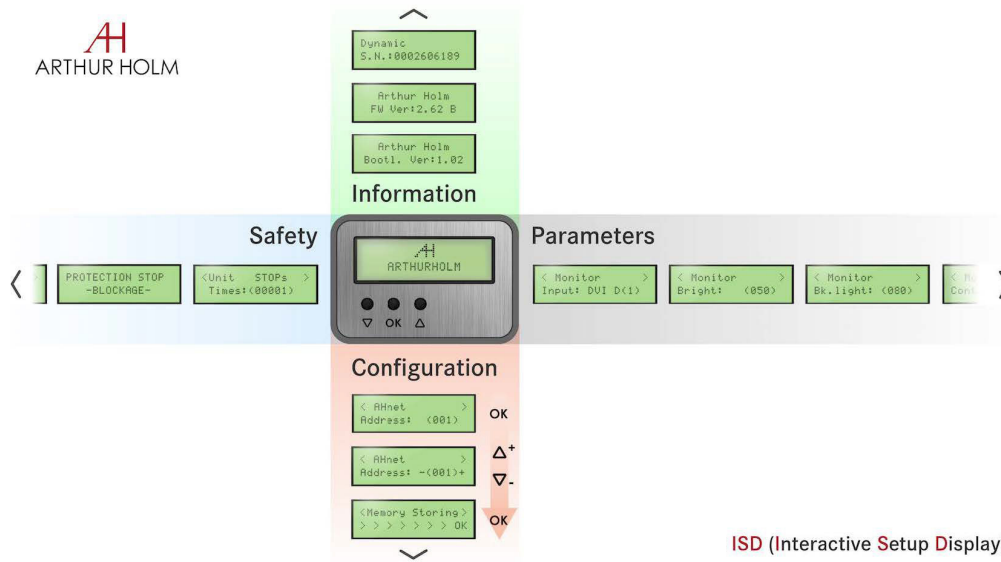
Technology serving Design



Connectivity

- 1- AHnet control interface
- 2- USB for Service
- 3- GPI control
- 4- Power input
- 5- DVI 1 / DVI A video input
- 6- DVI 2 video input

Interactive Setup Display (ISD)

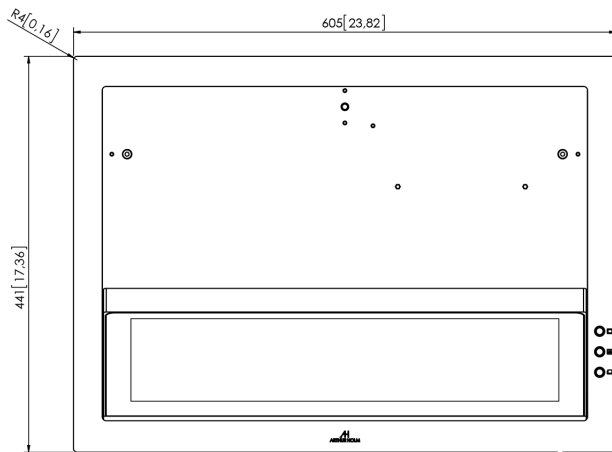
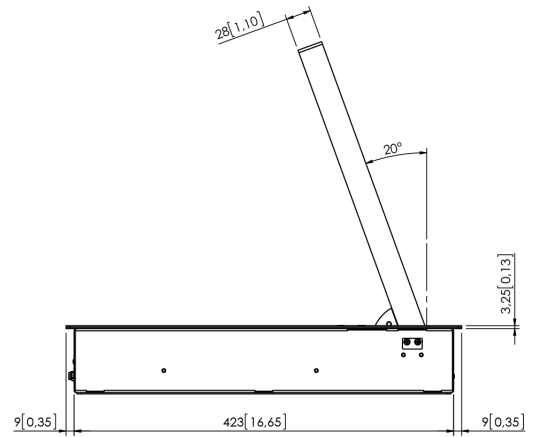
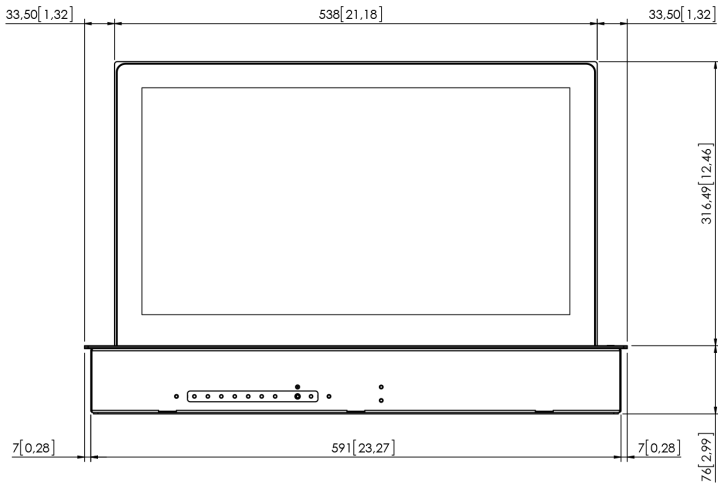


ISD (Interactive Setup Display)

Consultants, architects and engineers specifications

Horizontally foldable motorized 21.5" professional monitor. The monitor housing shall be made of milled aluminum, the cover plate shall be made of anodized aluminum and the screen shall be protected with anti-reflective 2 side coating black edged 3 mm glass. The monitor shall make the movements thanks to a rear gear dent system. The monitor shall have a brightness of 350 cd/m2, a contrast ratio of 1000:1 and a backlight life span of 50,000 hours. The monitor shall provide 2 DVI/HDCP inputs by a licensed HDCP monitor manufacturer.

The monitor shall provide an addressable RS-422 and easy to read Interactive Setup Display (ISD) to access the safety parameters and the control of the brightness, contrast and backlight. The monitor shall be able to run an autoadjustment program to reset the factory setups. The monitor shall provide a USB port for firmware upgrades. The monitor shall be controlled by a wireless Android and iOS app providing information about the monitor's serial number and providing access to the control and setup menu.



ARTHUR HOLM

Albiral Display Solutions SL · Fàtima, 25 Sant Hipòlit de Voltregà 08512 Barcelona, Spain · +34 938 502 376 · marketing@arthurholm.com · www.arthurholm.com  
 Arthur Holm is a registered brand of Albiral Display Solutions SL. Specifications subject to change without previous notice.

Technology serving Design