

MicConnect

Passive microphone surface mount for gooseneck microphones



Highlights

- Stainless steel surface mount
- Push button and LED controlled by third party conference system
- No power required
- 3-pin XLR connection
- Easy to install
- Maintenance free

General

Arthur Holm's MicConnect is a static surface mount for XLR microphones with integrated shock mount, push to talk button and microphone status LED. The microphone is very easy to connect and disconnect. A special tool (included with the product) is necessary to remove the microphone. When there is no microphone connected the XLR connector is covered by a lid integrated in the system.

MicConnect is made of stainless steel and standard and customized finishes are also available.

ARTHUR HOLM

Albiral Display Solutions SL · Fàtima, 25 · 08512 Sant Hipòlit de Voltregà · Barcelona, Spain · +34 938 502 376 · marketing@arthurholm.com · www.arthurholm.com
Arthur Holm is a registered brand of Albiral Display Solutions SL. Specifications subject to change without previous notice.

Make Your Meetings Count!

Materials

Cover plate	Stainless steel
-------------	-----------------

Functionality

Push to talk button, push the button to lift the lid
Microphone installed, push the button activate/deactivate the system
Main control depends on the audio unit

LEDs

Green and red LED is activated from the main audio unit (5Vdc Voltage)

Options

- Painted
- Matte cover plate

Certifications

- CE
- FCC

Warranty

- 2 years general warranty

Connectivity

Microphone	Input: 3-pin XLR standard microphone connector below the lid with integrated shock mount
	Output: 3-pin terminal block, located on the lower part of the MicConnect
Control	6-pin terminal block, located on the lower part of the MicConnect
	Contact close push button
	5Vdc LED power indicators

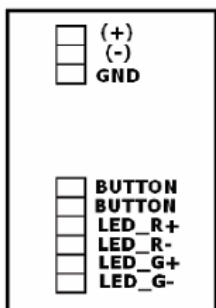
Mechanical

Cover plate	92 x 92 x 3mm [3.62" x 3.62" x 0.12"]
Housing below the table	93 x 93 x 80 - 100mm [3.66" x 3.66" x 3.13" - 3.93"]
Installation	Mounting surface thickness: from 16mm [0.63"] to 65mm [2.56"]

Consultants, architects and engineers specifications

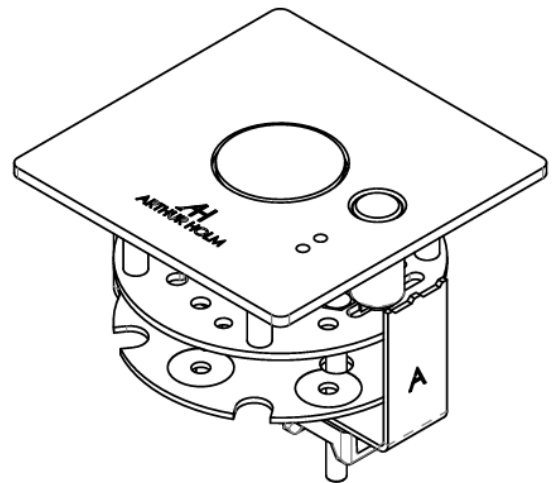
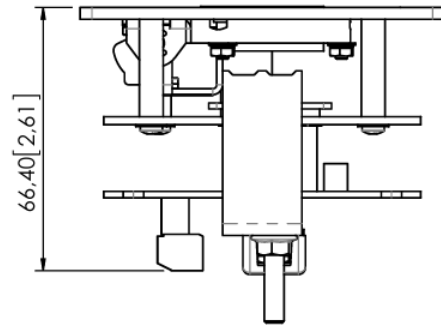
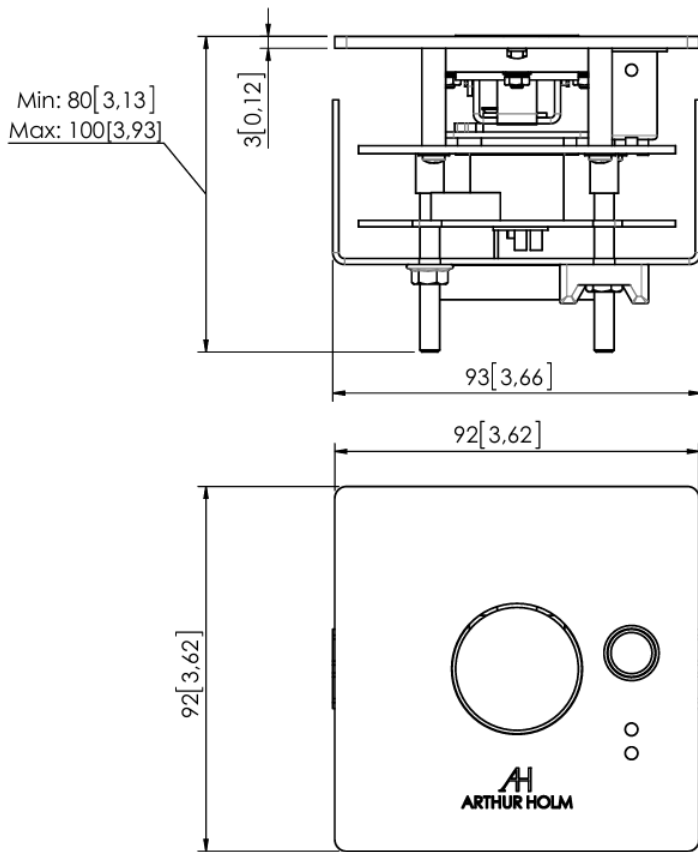
The passive microphone surface mount shall provide a 3-pin XLR connector. The cover plate shall be made of stainless steel, it shall include a shock absorbing support, push to talk button and 2 LED. The device shall provide an easy removal and installation of the microphone without any visible locking system.

Connectivity Panel



Connectivity

Button - Contact close of the cover plate push button
 LED_R+/LED_R- Apply 5Vdc to activate LED2 on cover plate
 LED_G+/LED_G- Apply 5Vdc to activate LED1 on cover plate



ARTHUR HOLM