

DynamicCableRetract

USB-C motorized cable retractor



Highlights

- Motorized USB-C retractable cable solution.
- High-performance USB-C cable supporting up to 240 W power delivery and 80 Gbps data transfer.
- Up to 900mm cable extension .
- Capacitive touch sensor for smooth cable deployment and retraction.
- USB-C Male-to-Male cable for versatile connections.
- Silent and reliable motorized mechanism.
- Compact design for seamless integration into furniture and AV installations.
- Easy to install with minimal furniture modification.
- Under-table cable container keeps the cable neatly stored when not in use.



General

The DynamicCableRetract is a motorized retractable USB-C cable solution that brings effortless connectivity to meeting rooms, conference tables, and collaborative workspaces.

Touch-Connect-Share: With a simple touch of the capacitive sensor, the cable smoothly and silently extends up to 900 mm, providing instant access to power, high-speed data, and video. Touch the sensor again to retract, keeping your workspace tidy, organized, and cable-free.

Perfect for temporary device connections, the DynamicCableRetract blends convenience, elegance, and professional performance into a compact, self-contained system that simplifies connectivity and enhances every user experience.

ARTHUR HOLM

Albiral Display Solutions SL · Fàtima, 25 · 08512 Sant Hipòlit de Voltregà · Barcelona, Spain · +34 938 502 376 · marketing@arthurholm.com · www.arthurholm.com
Arthur Holm is a registered brand of Albiral Display Solutions SL. Specifications subject to change without previous notice.

MakeYourMeetingsCount

Technical Specifications

Materials

Housing	Polyamide
Enclosure	Steel /Aluminum / Polyamide

Control

Control Up/Down

Electrical

External power supply	100-240Vac, 12Vdc
Power consumption	13W

Mechanical

Top plate	Ø60mm [2.36"]
Housing below the table	92 x 97 x 458 mm [3.62" x 3.82" x 18.03"]
USB-C cable extension	above the table 900mm [35.43"] below the table 500mm [19.69"] total length 2000mm
Weight	1.5 Kg / 3.3 Lbs

Options

- Bronze and gold finishing

Certifications

- CE
- IEC60950
- CB
- RoHS
- EMC

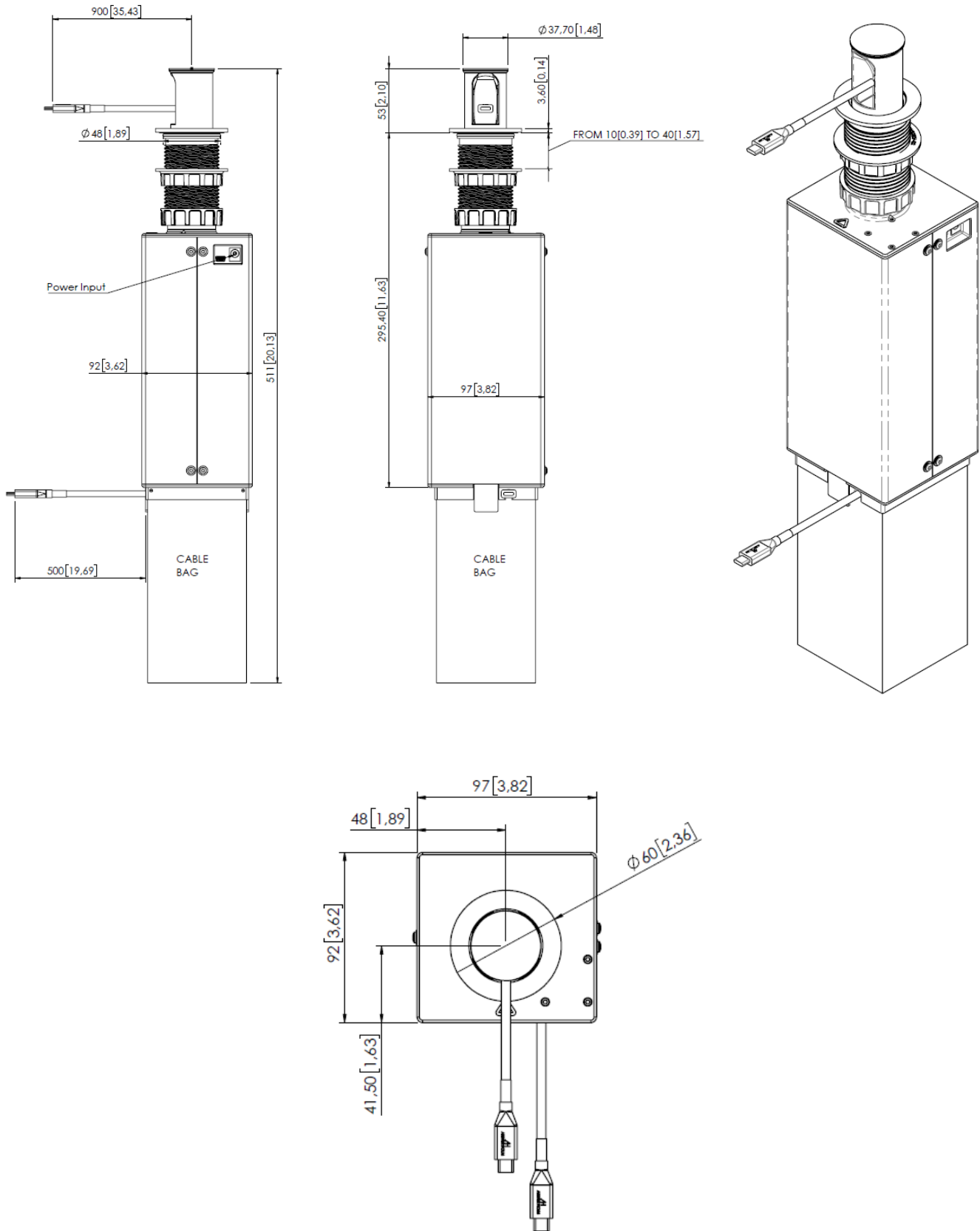
Warranty

- 2 years general warranty

Consultants, architects and engineers specifications

The DynamicCableRetract is a compact motorized USB-C cable retraction system designed for professional AV and collaborative work-spaces. The system shall allow installation into a furniture opening with a maximum diameter of Ø48 mm and a cover plate of Ø60 mm. It shall provide a capacitive sensor to deploy and retract a USB-C cable that can serve as a charging point delivering up to 240 W of power and supporting up to 80 Gbps data transfer, with a maximum extension of 900 mm. The cable shall extend smoothly when needed and retract automatically when not in use, ensuring a tidy, organized, and professional workspace. The self-contained unit shall be designed for quick and straightforward integration into tables, desks, and other furniture, providing reliable connectivity and high-power charging for temporary or shared device use.

General Dimensions



ARTHUR HOLM

Albiral Display Solutions SL · Fàtima, 25 · 08512 Sant Hipòlit de Voltregà · Barcelona, Spain · +34 938 502 376 · marketing@arthurholm.com · www.arthurholm.com
 Arthur Holm is a registered brand of Albiral Display Solutions SL. Specifications subject to change without previous notice.

MakeYourMeetingsCount