

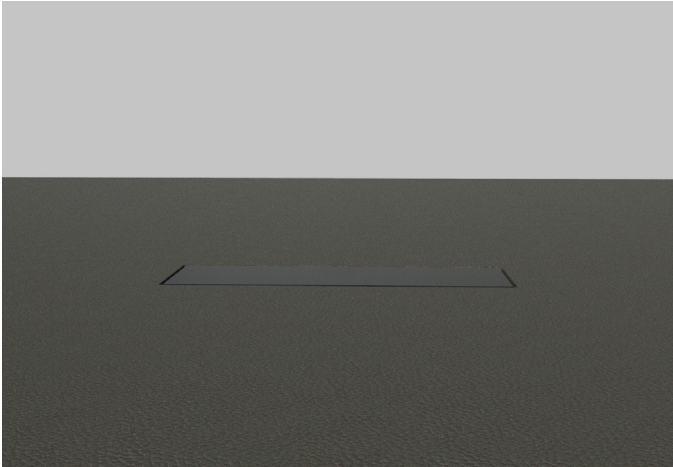


ARTHUR HOLM

AHDCT

# DynamicConnectTower

Motorized Retractable Connection Box



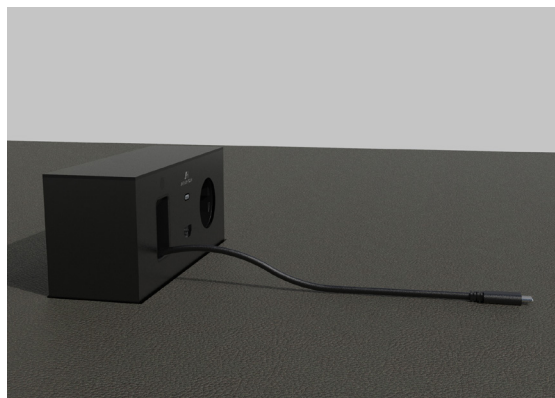
## Highlights

- Motorized solution for AV connectivity and power
- Available for veneer and table matching
- Flush integration
- Straight-forward installation

## General Description

The DynamicConnectTower is a state-of-the-art motorized retractable connection box designed to provide an elegant, discreet and fully customizable connectivity solution. Ideal for modern offices, meeting rooms, conference rooms, and institutions, it offers a versatile range of connectors to meet diverse technological needs. Users can tailor the configuration to include power outlets, HDMI ports, USB passthrough or USB power ports, and RJ45 connectors, and more, ensuring exceptional adaptability for a wide variety of applications.

Its ergonomic angled design enhances both comfort and usability, allowing users to access and connect their devices with ease. Thoughtfully engineered to integrate seamlessly into contemporary environments, the DynamicConnectTower combines functionality, aesthetics, and convenience in a refined solution.



ARTHUR HOLM

Albiral Display Solutions SL · Fàtima, 25 Sant Hipòlit de Voltregà 08512 Barcelona, Spain · +34 938 502 376 · marketing@arthurholm.com · www.arthurholm.com  
Arthur Holm is a registered brand of Albiral Display Solutions SL. Specifications subject to change without previous notice.

MakeYourMeetingsCount

## Technical Specifications

### Materials

---

 Steel
 

---



---

 Aluminium
 

---



---

 Polyamide
 

---



---

 RJ45 CAT6 (with loop), RS-422/RS-485 Full Duplex, AHnet protocol
 

---



---

 GPI (SubD9)
 

---



---

 Capacitive Touch Sensor
 

---

### Electrical

External Power Supply	100-240VAC /12 V DC
-----------------------	---------------------

Power Consumption	1 5W
-------------------	------

### Cable USB-C

External Power Supply	100-240VAC /12 V DC
-----------------------	---------------------

Power Consumption	1 5W
-------------------	------

### Mechanical Dimensions

Top plate	184 x 64mm [7.24" x 2.52"]
-----------	----------------------------

Housing below the table	235 x 117.5 x 303mm (9.25" x 4.63" x 11.93")
-------------------------	---

## Consultants, architects and engineers specifications

The AHDCT is a motorized retractable connection box. It shall provide a functional way to connect smaller and larger power supplies. The DynamicConnectlower shall rise from the table touching a sensor, providing free access to the connectors; with another touch of a sensor, a USB-C or HDMI retractable cable shall automatically eject.

A security feature shall avoid the accidental retraction of the AHDCT while the USB-C cable is ejected. The DynamicConnectlower can be customized with different types of connectors, including Power Outlet, HDMI, RJ45, USB passthrough or USB power ports, USB-C Retractable Cable, and power outlets.

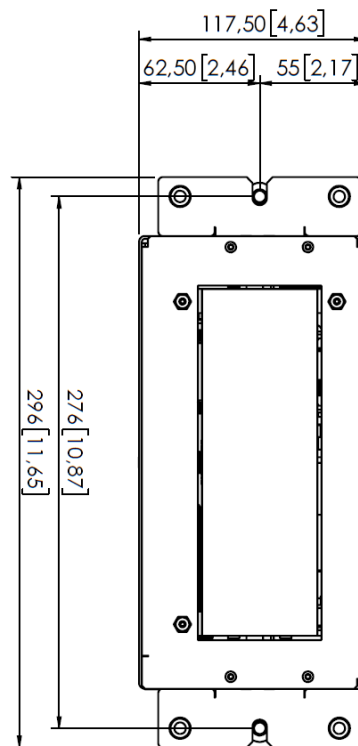
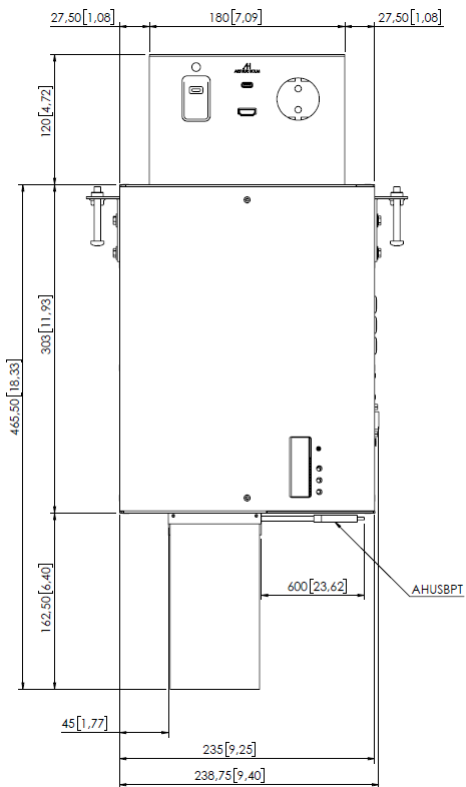
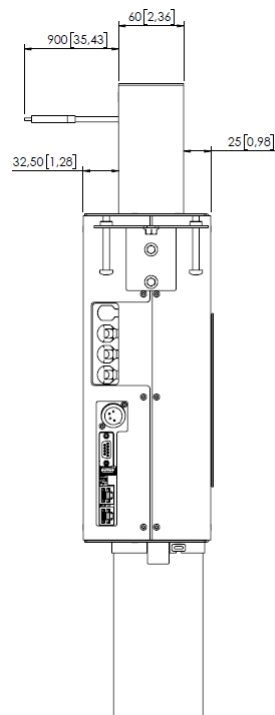
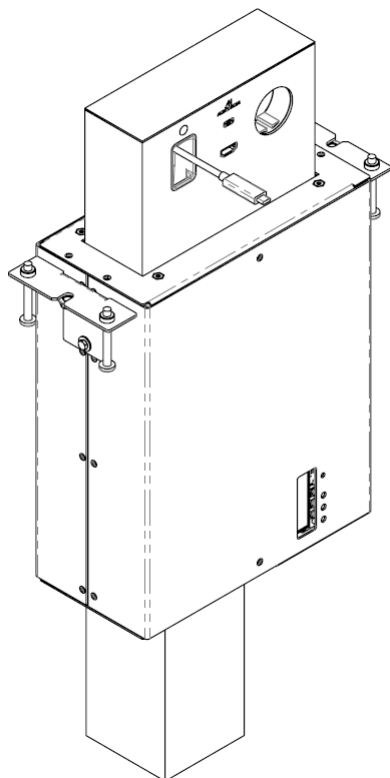
## Warranty

- 2 years general warranty

## Certifications

- CE

General Dimensions



ARTHUR HOLM

Albiral Display Solutions SL · Fàtima, 25 Sant Hipòlit de Voltregà 08512 Barcelona, Spain · +34 938 502 376 · marketing@arthurholm.com · www.arthurholm.com  
 Arthur Holm is a registered brand of Albiral Display Solutions SL. Specifications subject to change without previous notice.

MakeYourMeetingsCount