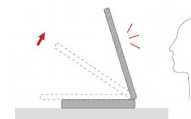


## AH1

Professional HDCP compliant aluminum manually foldable monitor



### Highlights

- Professional manually foldable monitor
- Milled anodized aluminum monitor
- Stepless viewing position from 0° to 80°
- Double-sided anti-reflective glass
- Auto-Stand-By
- USB-C passthrough
- Maintenance free
- Energy saving design, low consumption video controller



ARTHUR HOLM

Albiral Display Solutions SL · Fàtima, 25 · 08512 Sant Hipòlit de Voltregà · Barcelona, Spain · +34 938 502 376 · marketing@arthurholm.com · www.arthurholm.com

Arthur Holm is a registered brand of Albiral Display Solutions SL. Specifications subject to change without previous notice.

**MakeYourMeetingsCount**

## General

Arthur Holm AH1 4K manually foldable professional monitors are the perfect solution to create a flexible and versatile meeting environment when the space is limited. The monitor is placed on the table surface through its black aluminium base, allowing the user to adjust the viewing angle of the monitor and hold the monitor in a firm viewing position.

The base conceals the cable connection and guides the cables unseen away from the monitor when using the cable exit in the center of the base or, if needed, the rear cable outlet.

The screen position can be easily adjusted from flat on the table (0°) to 80°. The monitor includes a USB-C passthrough.

## Technical Specifications

### Display

Size	4K HD 17.3" TFT Active Matrix, widescreen format. LED backlight
Resolution	3840 (h) x 2160 (v)
Brightness	400 cd/m2
Contrast ratio	1500:1
Pixel	0.09945 (h) x 0.09945(v) mm
Viewing angle	89°/89° (u/d) / 89°/89° (l/r)
Viewing area	381.888 (h) x 214.812 (v) mm
Response time	Tr + Tf = 30ms
Temperature (operating/storage)	Operating 0°C ~+40°C Storage -20°C ~+60°C

### Materials

Monitor housing	Milled aluminum with anodized finishing
Glass	Anti-reflective 2 side coating 2mm black edged glass
Base	Black aluminum anodized

### Screen Control

IR	Screen settings
----	-----------------

### Connectivity

Input signal	HDMI - HDCP Compliant
HDMI	Female Cable 700mm
Power	Female Cable 700mm
USB-C	Pass Through cable 700mm
Touch Screen (only when there is Touch Screen)	Male USB-A Cable 700mm

### Electrical

External power supply	100-240 Vac, 47/63Hz, 12Vdc
Power consumption	50W

### Mechanical

Monitor Dimensions	414 x 285.37 x 19 mm [16.30" x 11.23" x 0.75"]
Weight	7.1 Kg / 15.65 Lbs

### Packaging Dimensions:

Weight	8.1Kg
Box	435 x 535 x 180mm

## Consultants, architects and engineers specifications

The monitor shall provide a manually adjustable position from 0° to 80°. The monitor housing shall be made of black anodized aluminum with an anti-reflective 2-side coating 2mm black edged glass. The monitor shall provide one black aluminium base with hidden cables and no visible screws.

The 17.3" Full HD monitor shall have a native resolution of 4K 3840 (h) x 2160(v) monitor, a brightness of 400cd/m2 and a contrast ratio of 1500:1. The monitor shall provide 1 HDMI input by a licensed HDCP manufacturer.

## Options

- Projected capacitive multi-touch screen

## Certifications

- CE
- ICEE
- CB
- RoHS

## Warranty

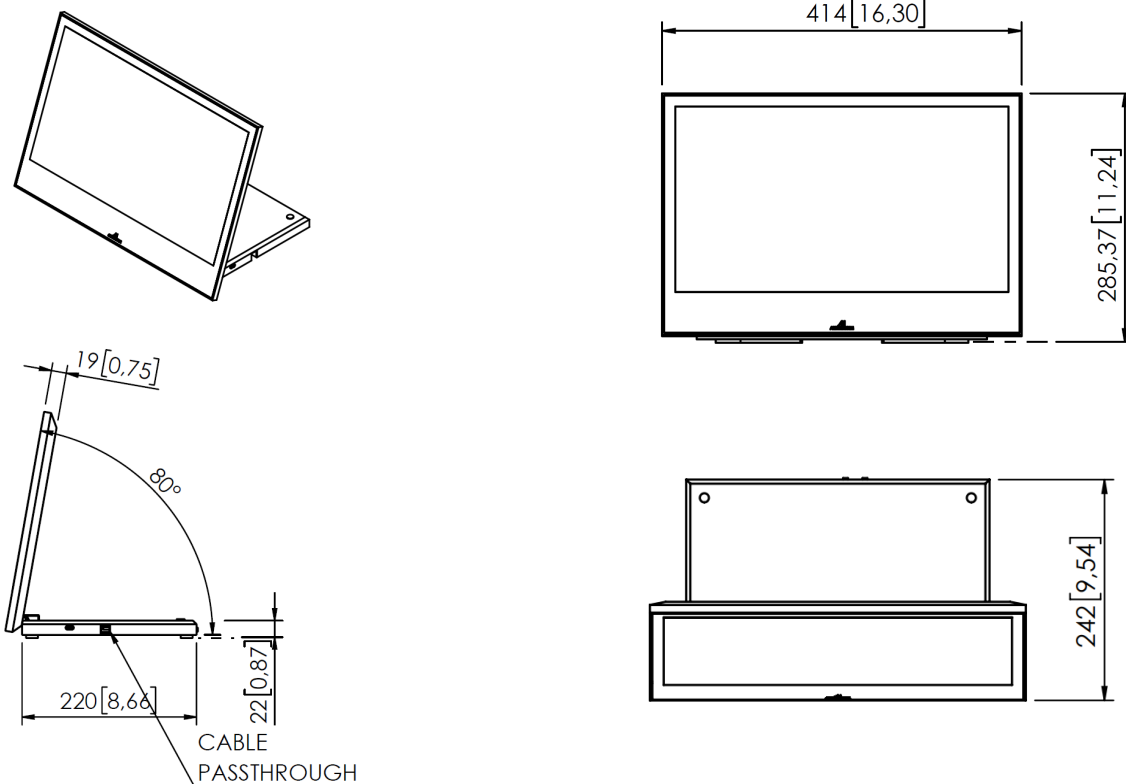
- 2 years general warranty

### ARTHUR HOLM

Albiral Display Solutions SL · Fàtima, 25 Sant Hipòlit de Voltregà 08512 Barcelona, Spain · +34 938 502 376 · marketing@arthurholm.com · www.arthurholm.com  
Arthur Holm is a registered brand of Albiral Display Solutions SL. Specifications subject to change without previous notice.

MakeYourMeetingsCount

Unfold 80°



Fold 0°

