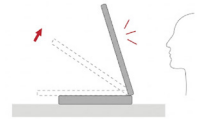


AH1

Professional HDCP compliant aluminum manually foldable monitor



Highlights

- Professional manually foldable monitor
- Milled anodized aluminum monitor
- Stepless viewing position from 0° to 80°
- Anti-reflective glass
- Auto-Stand-By
- USB-C passthrough
- Maintenance free
- Energy saving design, low consumption video controller



ARTHUR HOLM

Albiral Display Solutions SL · Fàtima, 25 · 08512 Sant Hipòlit de Voltregà · Barcelona, Spain · +34 938 502 376 · marketing@arthurholm.com · www.arthurholm.com
Arthur Holm is a registered brand of Albiral Display Solutions SL. Specifications subject to change without previous notice.

Make**YourMeetings**Count

General

The AH1 is a tabletop, manually foldable monitor featuring an elegant black anodized aluminum finish. Designed for seamless integration into meeting and conference environments, it requires no structural modifications to the table, making installation simple and non-invasive.

Its manually adjustable design provides smooth, stepless inclination adjustment from 0° to 80°, allowing users to achieve the optimal viewing angle while maintaining clear sightlines to the room and other meeting participants. The monitor can be effortlessly positioned from completely flat on the tabletop to an upright viewing position, ensuring maximum comfort and flexibility.

Technical Specifications

Display

Size	4K HD 17.3" TFT Active Matrix, widescreen format. LED backlight
Resolution	3840 (h) x 2160 (v)
Brightness	400 cd/m2
Contrast ratio	1500:1
Pixel	0.09945 (h) x 0.09945(v) mm
Viewing angle	89°/89° (u/d) / 89°/89° (l/r)
Viewing area	381.888 (h) x 214.812 (v) mm
Response time	Tr + Tf = 30ms
Temperature (operating/storage)	Operating 0°C ~+40°C Storage -20°C ~+60°C

Materials

Monitor housing	Milled aluminum with black anodized finishing
Glass	Anti-reflective 2mm black edged glass
Base	Black anodized aluminum

Screen Control

IR	Screen settings
----	-----------------

Consultants, architects and engineers specifications

The monitor shall provide a manually adjustable position from 0° to 80°. The monitor housing shall be made of black anodized aluminum with an anti-reflective 2mm black edged glass. The monitor shall provide one black aluminum base with hidden cables and no visible screws.

The 17.3" Full HD monitor shall have a native resolution of 4K 3840 (h) x 2160(v) monitor, a brightness of 400cd/m2 and a contrast ratio of 1500:1. The monitor shall provide 1 HDMI input by a licensed HDCP manufacturer.

The black aluminum base discreetly conceals both HDMI and power cabling, preserving a clean and uncluttered tabletop appearance. The display is protected by a 2 mm anti-reflective glass panel, enhancing image clarity while minimizing reflections.

For added connectivity and convenience, the AH1 incorporates a side-mounted USB-C pass-through connector, enabling easy access for external devices.

Connectivity

Input signal	HDMI - HDCP Compliant
HDMI	Female Cable 700mm
Power	Female Cable 700mm
USB-C	Pass Through cable 700mm
Touch Screen (only when there is Touch Screen)	Male USB-A Cable 700mm

Electrical

External power supply	100-240 Vac, 47/63Hz, 12Vdc
Power consumption	50W

Mechanical

Monitor Dimensions	414 x 285.37 x 19 mm [16.30" x 11.23" x 0.75"]
Weight	6.5 Kg / 14.33 Lbs

Packaging Dimensions:

Weight	7.5 Kg / 16.53 Lbs aprox.
Box	435 x 535 x 180mm

Options

- Projected capacitive multi-touch screen

Certifications

- CE
- ICEE
- CB
- RoHS

Warranty

- 2 years general warranty

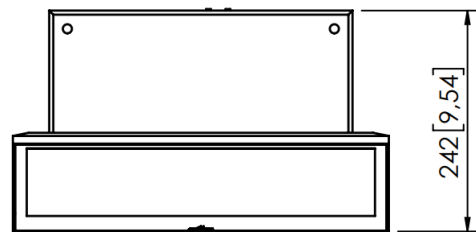
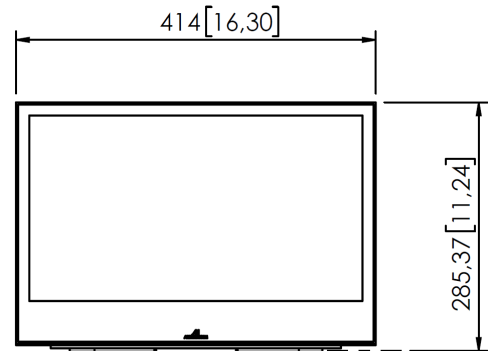
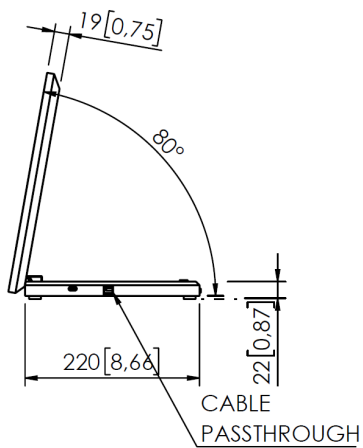
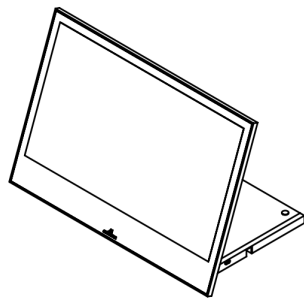
ARTHUR HOLM

Albiral Display Solutions SL · Fàtima, 25 Sant Hipòlit de Voltregà 08512 Barcelona, Spain · +34 938 502 376 · marketing@arthurholm.com · www.arthurholm.com
Arthur Holm is a registered brand of Albiral Display Solutions SL. Specifications subject to change without previous notice.

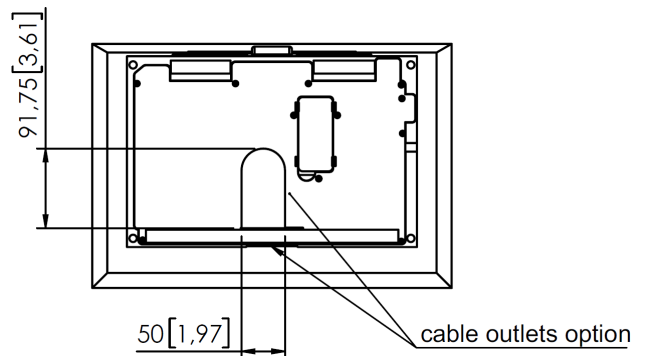
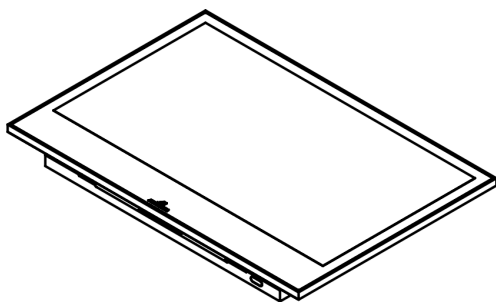
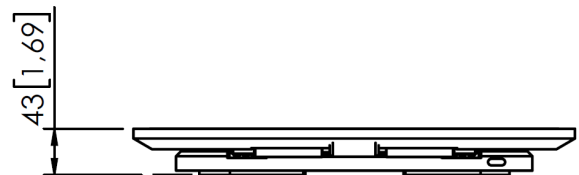
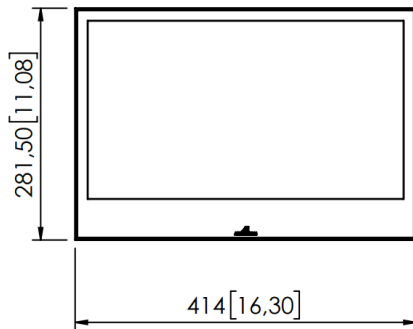
MakeYourMeetingsCount

General Dimensions

Unfold 80°



Fold 0°



ARTHUR HOLM

Albiral Display Solutions SL · Fàtima, 25 Sant Hipòlit de Voltregà 08512 Barcelona, Spain · +34 938 502 376 · marketing@arthurholm.com · www.arthurholm.com
 Arthur Holm is a registered brand of Albiral Display Solutions SL. Specifications subject to change without previous notice.

MakeYourMeetingsCount