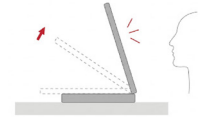


## AH1

Professional HDCP compliant aluminum manually foldable monitor



### Highlights

- Professional manually foldable monitor
- Milled anodized aluminum monitor
- Manually foldable from 0° to 80°
- Stepless viewing position
- Double-sided anti-reflective glass
- Auto-Stand-By
- Easy to install
- USB passthrough
- Maintenance free
- Energy saving design, low consumption video controller



ARTHUR HOLM

Albiral Display Solutions SL · Fàtima, 25 · 08512 Sant Hipòlit de Voltregà · Barcelona, Spain · +34 938 502 376 · marketing@arthurholm.com · www.arthurholm.com  
Arthur Holm is a registered brand of Albiral Display Solutions SL. Specifications subject to change without previous notice.

MakeYourMeetingsCount

## General

Arthur Holm AH1 manually foldable professional monitors are the perfect solution to create a flexible and versatile meeting environment when the space is limited. The monitor is placed to the table surface through its black aluminium base, allowing the user to adjust the viewing angle of the monitor and hold the monitor in a firm viewing position.

The base conceals the cable connection and guides the cables unseen away from the monitor when using the cable exit in the center of the base or, if needed, the rear cable outlet.

The screen position can be easily adjusted from flat on the table (0°) to 80°. The monitor includes a USB-C passthrough.

## Technical Specifications

### Display

Size	Full HD 17.3" TFT Active Matrix, widescreen format. LED backlight
Resolution	1920 (h) x 1080 (v)
Brightness	480 cd/m2
Contrast ratio	1100:1
Pixel	0.1989 (h) x 0.1989 (v) mm
Viewing angle	85°/85° (u/d) / 85°/85° (l/r)
Viewing area	389.888 (h) x 227.612 (v) mm
Response time	Tr + Tf 16 ms
Temperature (operating/storage)	Operating 0°C ~+40°C Storage -20°C ~+60°C

### Materials

Monitor housing	Milled aluminum with anodized finishing and dark grey iron base
Glass	Front black serigraphed glass
Base	Black aluminum anodized

### Screen Control

IR	Screen settings
----	-----------------

## Consultants, architects and engineers specifications

The monitor shall provide a manually adjustable position from 0° to 80°. The monitor housing shall be made of anodized aluminum with an anti-reflective 2-side coating 3mm black edged glass. The monitor shall provide one black aluminium base with hidden cables and no visible screws.

The 17.3" Full HD monitor shall have a brightness of 480cd/m2 and a contrast ratio of 1100:1. The monitor shall provide 1 HDMI HDCP input by a licensed HDCP manufacturer from the side.

### Connectivity

Input signal	HDMI - HDCP Compliant
HDMI	Female Cable 700mm
Power	Female Cable 700mm
USB-C	Pass Through cable 700mm
Touch Screen (only when there is Touch Screen)	Male USB-A Cable 700mm

### Electrical

External power supply	100-240 Vac, 47/63Hz, 12Vdc
Power consumption	50W

### Mechanical Dimensions

Monitor Dimensions	414 x 285.37 x 19 mm [16.30" x 11.23" x 0.75"]
Weight	7.1 Kg / 15.65 Lbs

### Packaging Dimensions:

Weight	8.1Kg aprox.
Box	435 x 535 x 180mm aprox.

## Options

- Projected capacitive multi-touch screen

## Certifications

- CE
- ICEE
- CB
- RoHS

## Warranty

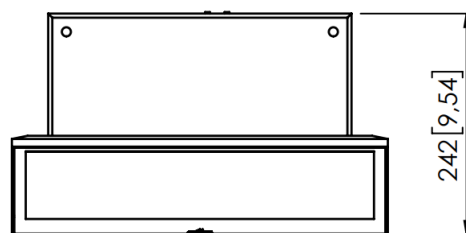
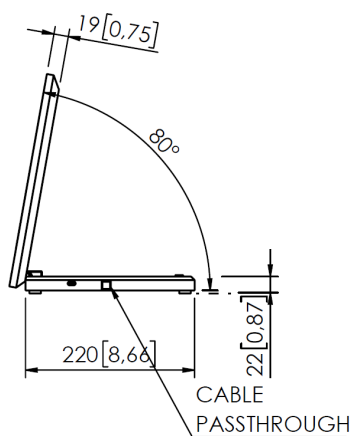
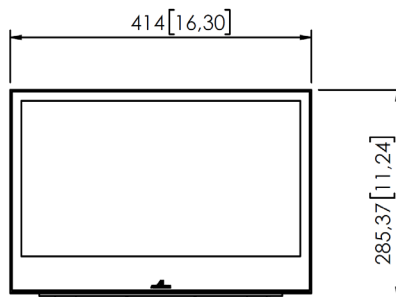
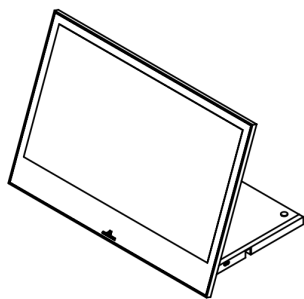
- 2 years general warranty

### ARTHUR HOLM

Albiral Display Solutions SL · Fàtima, 25 Sant Hipòlit de Voltregà 08512 Barcelona, Spain · +34 938 502 376 · marketing@arthurholm.com · www.arthurholm.com  
Arthur Holm is a registered brand of Albiral Display Solutions SL. Specifications subject to change without previous notice.

MakeYourMeetingsCount

Open 80°



Closed 0°

