

AH1

Professional HDCP compliant aluminum manually foldable monitor



Highlights

- Professional manually foldable monitor
- Milled anodized aluminum housing
- Manually foldable from 0° to 80°
- Stepless viewing position
- Anti-reflective glass
- Auto-Stand-By
- Easy to install
- USB passthrough
- Maintenance free
- Energy saving design, low consumption video controller

ARTHUR HOLM

Albiral Display Solutions SL · Fàtima, 25 Sant Hipòlit de Voltregà 08512 Barcelona, Spain · +34 938 502 376 · marketing@arthurholm.com · www.arthurholm.com
Arthur Holm is a registered brand of Albiral Display Solutions SL. Specifications subject to change without previous notice.

MakeYourMeetingsCount

General

The AH1 is a tabletop, manually foldable monitor featuring an elegant black anodized aluminum finish. Designed for seamless integration into meeting and conference environments, it requires no structural modifications to the table, making installation simple and non-invasive.

Its manually adjustable design provides smooth, stepless inclination adjustment from 0° to 80°, allowing users to achieve the optimal viewing angle while maintaining clear sightlines to the room and other meeting participants. The monitor can be effortlessly positioned from completely flat on the tabletop to an upright viewing position, ensuring maximum comfort and flexibility.

Technical Specifications

Display

Size	Full HD 21.5" TFT Active Matrix, widescreen. LED backlight
Resolution	1920 (h) x 1080 (v)
Brightness	500 cd/m2
Contrast ratio	1000:1
Pixel	0.24975 (h) x 0.24975 (v) mm
Viewing angle	89°/89° (L/R)/89°/89°(U/D)
Viewing area	476.064 (h) x 267.786 (v)
Response time	Tr 12ms, Tf 10 ms
Temperature (operating/storage)	Operating 0°C ~+40°C Storage -20°C ~+60°C

Materials

Monitor housing	Milled aluminum with black anodized finishing
Glass	Anti-reflective 2mm black edged glass
Base	Black anodized aluminum

Screen Control

IR	Screen Settings
----	-----------------

Options

- Projected capacitive multi-touch screen

Certifications

- CE
- ICEE
- CB
- RoHS

Warranty

- 2 years general warranty

The black aluminum base discreetly conceals both HDMI and power cabling, preserving a clean and uncluttered tabletop appearance. The display is protected by a 2 mm anti-reflective glass panel, enhancing image clarity while minimizing reflections.

For added connectivity and convenience, the AH1 incorporates a side-mounted USB-C pass-through connector, enabling easy access for external devices.

Connectivity

Input signal	HDMI - HDCP Compliant
HDMI	Female Cable 700mm
Power	Female Cable 700mm
USB-C	Pass Through cable 700mm
Touch Screen (only when there is Touch Screen)	Male USB-A Cable 700mm

Electrical

External power supply	100-240 Vac, 47/63Hz, 12Vdc
Power consumption	60W

Mechanical Dimensions

Monitor Dimensions	518 x 338.2 x 25 mm [20.39" x 13.32" x 0.98"]
Weight	8.1 Kg / 17.85 Lbs

Packaging Dimensions:

Weight	9.1 Kg / 20 Lbs aprox.
Box	710 x 560 x 225 mm aprox [27.95" x 22.04" x 8.85"]

Consultants, architects and engineers specifications

The monitor shall provide a manually adjustable position from 0° to 80°. The monitor housing shall be made of anodized aluminum with an anti-reflective 2mm black edged glass. The monitor shall provide a black iron base with hidden cables and no visible screws.

The 21.5" Full HD monitor shall have a brightness of 500 cd/m2 and a contrast ratio of 1000:1. The monitor shall provide 1 HDMI HDCP inputs by a licensed HDCP manufacturer from the side.

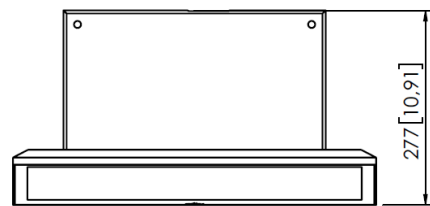
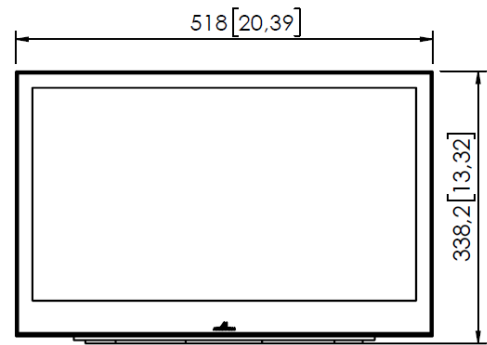
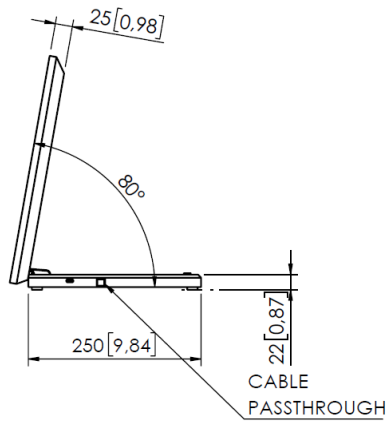
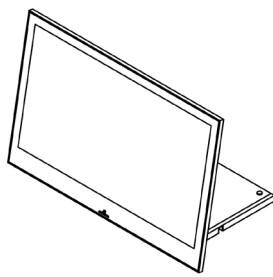
ARTHUR HOLM

Albiral Display Solutions SL · Fàtima, 25 Sant Hipòlit de Voltregà 08512 Barcelona, Spain · +34 938 502 376 · marketing@arthurholm.com · www.arthurholm.com
Arthur Holm is a registered brand of Albiral Display Solutions SL. Specifications subject to change without previous notice.

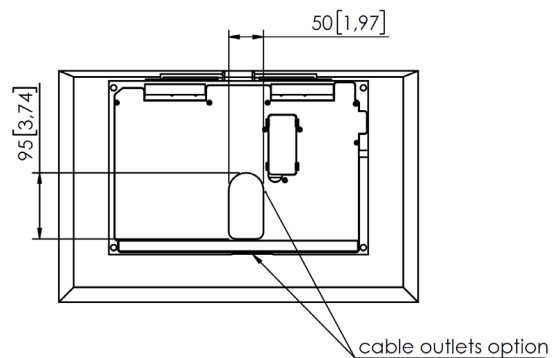
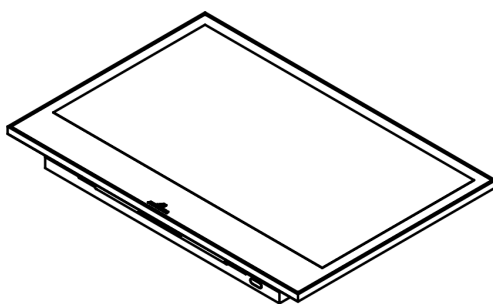
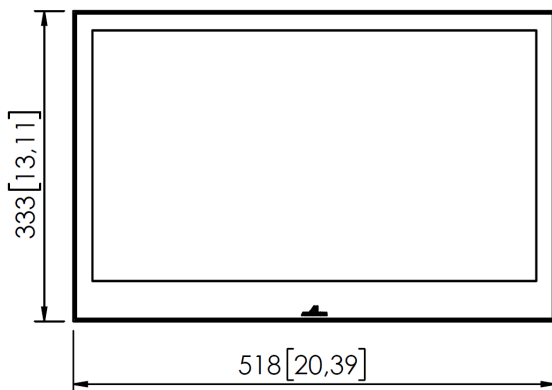
MakeYourMeetingsCount

General Dimensions

Open 80°



Closed 0°



ARTHUR HOLM

Albiral Display Solutions SL · Fàtima, 25 Sant Hipòlit de Voltregà 08512 Barcelona, Spain · +34 938 502 376 · marketing@arthurholm.com · www.arthurholm.com
 Arthur Holm is a registered brand of Albiral Display Solutions SL. Specifications subject to change without previous notice.

MakeYourMeetingsCount